



PARTS CATALOG

Published

2008/7 (Jul.)

0CNP3-G79000

SPECIFICATIONS

Model		Se500	
Type		Knapsack blower	
Fan	Revolutions	r.p.m.	6500
	Air volume	m ³ /min	10.48
Engine	Model	TEX54MX	
	Type	Single cylinder, two-cycle, air-cooled	
	Cylinder capacity	cc	48.6
	Fuel	Mixture of gasoline and oil in a 50:1 ratio	
	Starting	Self-rewinding knob	
	Ignition	Electronic	
Tank capacity		ℓ	1.8
Dimensions		cm	35 × 45.5 × 51
Empty weight		kg	8.2
Noise level		dB(A)	98 at the operator's ear level

Note: The specifications may be modified without prior notice.

CONTENTS

MODEL : SE500 -(TEX54M
PC NO : 0CNP3-G79000

Fig.No.	GROUP NAME
	ENGINE UNIT(TEX54M-AB52)
1.	CYLINDER & CRANKCASE
2.	PISTON & CRANKSHAFT
3.	COOLING DEVICE
4.	ELECTRICAL PARTS
5.	CONTROLLING DEVICE
6.	CARBURETOR
7.	AIR FILTER & MUFFLER
8.	FUEL TANK & FUEL VALVE
9.	STARTER
10.	LABELS & ACCESSORIES

BODY SECTION

11.	FAN CASE
12.	FAN
13.	KNAPSAK FRAME
14.	SHOULDER CUSHION & STRAP
15.	BEND PIPE & COILED PIPE
16.	ENGINE MOUNTING
17.	ACCELERATOR
18.	FUEL TANK
19.	FLEXIBLE HOSE
20.	DUSTING PIPE
21.	LABELS
22.	TOOLS & ACCESSORIES

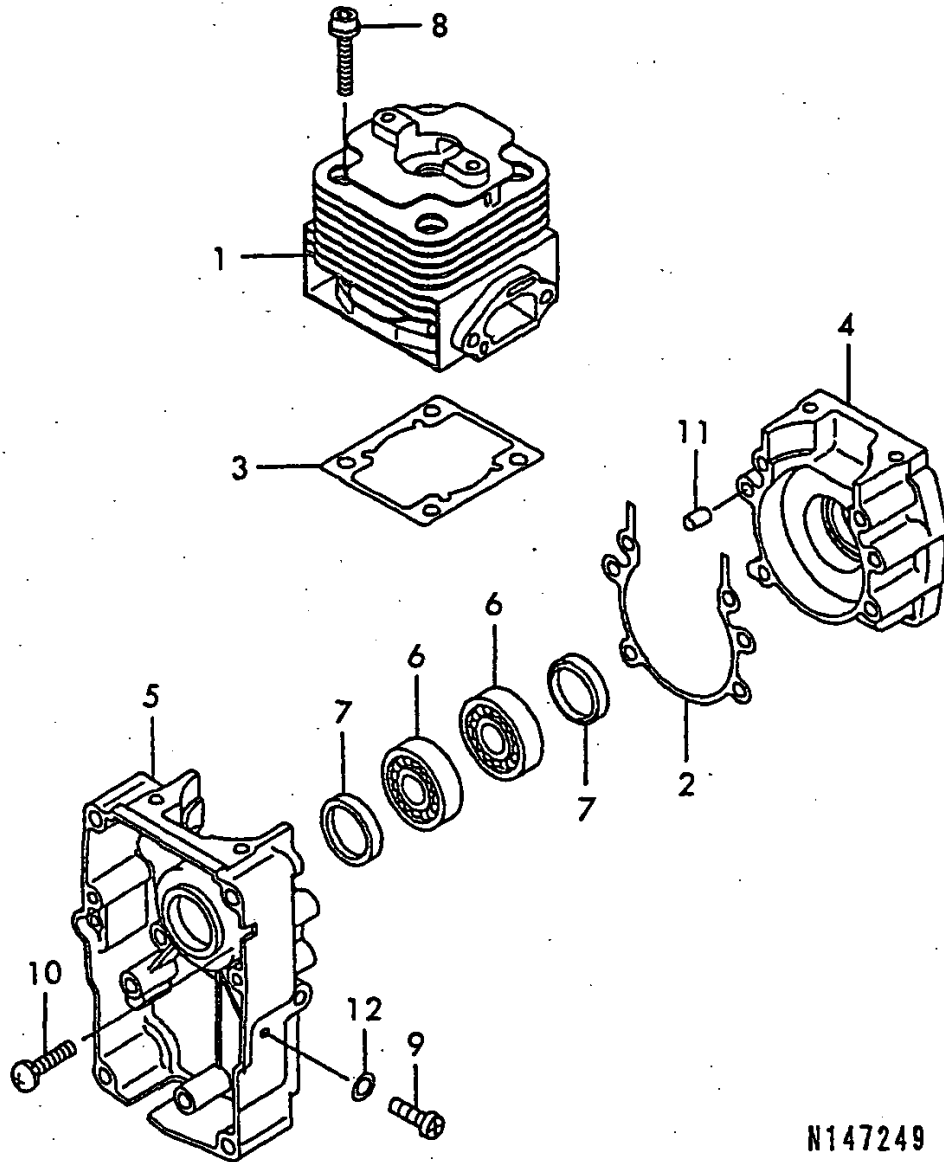
OPTION SECTION(MIST-SE500)

23.	CHEMICAL TANK
24.	STIRRING VESSEL & TAP,MIST
25.	PRESSURE PIPE & FEEDING PIPE

Fig.No.	GROUP NAME
26.	MIST NOZZLE
27.	DIFFUSION & JET NOZZLE
28.	LABELS

Fig.1. CYLINDER & CRANKCASE

1. CYLINDER & CRANKCASE



N147249

OCNP3-G79000 1. CYLINDER & CRANKCASE

(A)=TEX54M-AB52

(B)=

(C)=

(D)=

(E)=

(F)=

REF.	LEV.	PARTS NO.	DESCRIPTION	QTY						I	R	
				(A)	(B)	(C)	(D)	(E)	(F)			
1	1	1Z1100-52129	CYLINDER,ENGINE	1								
2	1	1Z1100-92521	GASKET	1								
3	1	1Z1106-02350	GASKET,CYLINDER	1								
4	1	1Z1400-22333	CRANKCASE	1								
5	1	1Z1400-22330	CRANKCASE	1								
6	1	1Z9204-52005	MAIN BEARING	2								
7	1	1Z9204-92076	SEAL-OIL	2								
8	1	1Z9215-02294	BOLT	4								
9	1	1Z214B-06080	BOLT 6X8	1								
10	1	1Z223B-06300	SCREW,PAN HD./M/C	4								
11	1	1Z0056-06100	PIN,DOWEL	2								
12	1	1Z751Q-06000	GASKET	1								

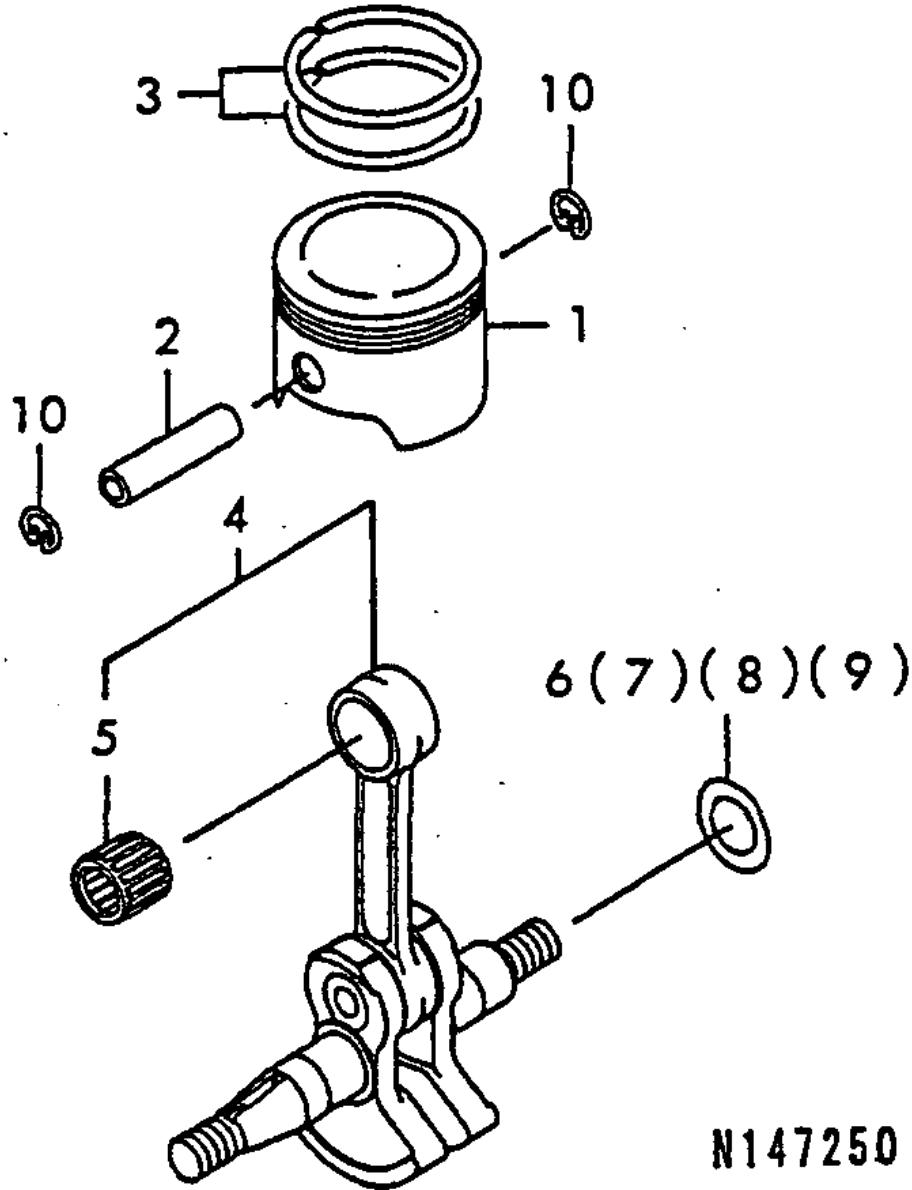
Remarks

* 7Z0170-51020 ENGINE ASSY.

N:Old $\xrightarrow{\text{Yes}}$ New, Q:Old $\xrightarrow{\text{No}}$ New, R:Old $\xrightarrow{\text{Yes}}$ New, S:Old $\xrightarrow{\text{No}}$ New, W:Add, Z:Discontinued, F:Interchangeable by set, K:Q'ty Change

Fig.2. PISTON & CRANKSHAFT

2. PISTON & CRANKSHAFT



OCNP3-G79000 2. PISTON & CRANKSHAFT

(A)=TEX54M-AB52

(B)=

(C)=

(D)=

(E)=

(F)=

REF.	LEV.	PARTS NO.	DESCRIPTION	Q'TY						I	R
				(A)	(B)	(C)	(D)	(E)	(F)		
1	1	1Z1300-12103	PISTON	1							
2	1	1Z1300-22067	PISTON PIN	1							
3	1	1Z1300-86044	RING SET,PISTON	1							
4	1	1Z4911-96203	CRANKSHAFT ASSY	1							
5	2	1Z1303-32005	BEARING,NEEDLE	1							
6	1	1Z9202-52134	SHIM T0.10	1							
7	1	1Z9202-52135	SHIM (T=0.2)	1							
8	1	1Z9202-52136	SHIM T0.40	1							
9	1	1Z9202-52137	SHIM T0.60	1							
10	1	1Z9203-32058	RING,SNAP	2							

(A)=TEX54M-AB52

(B)=

(C)=

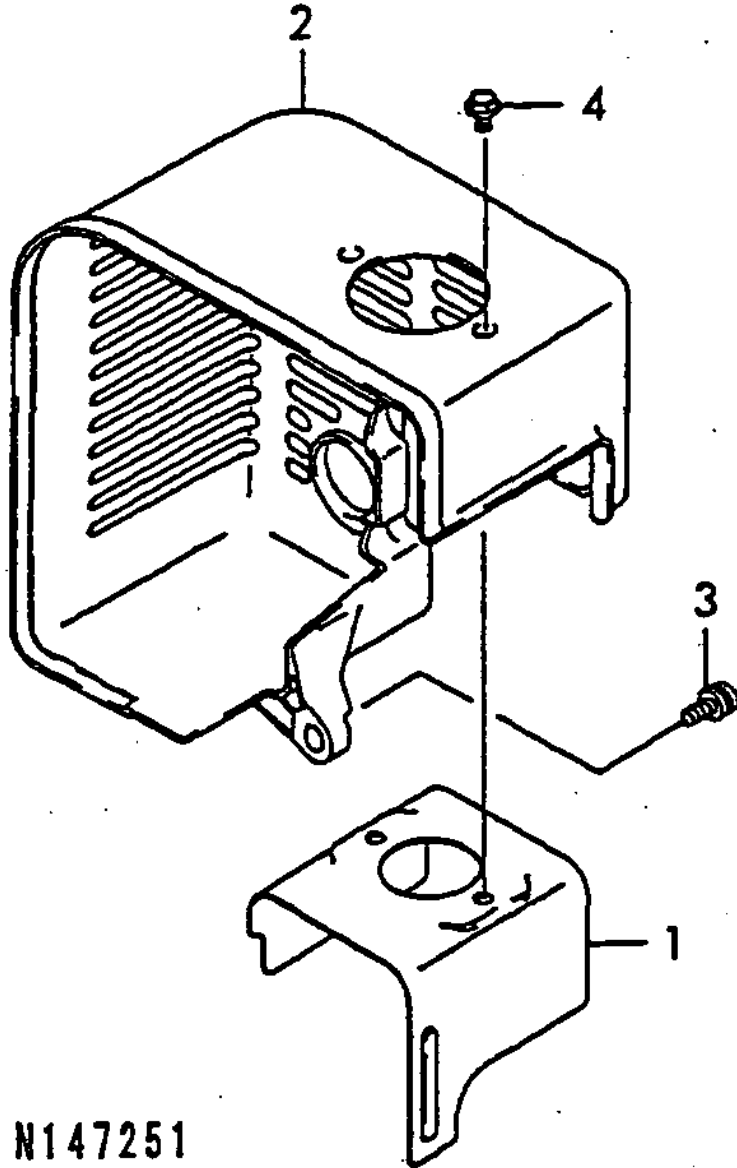
(D)=

(E)=

(F)=

3. COOLING DEVICE

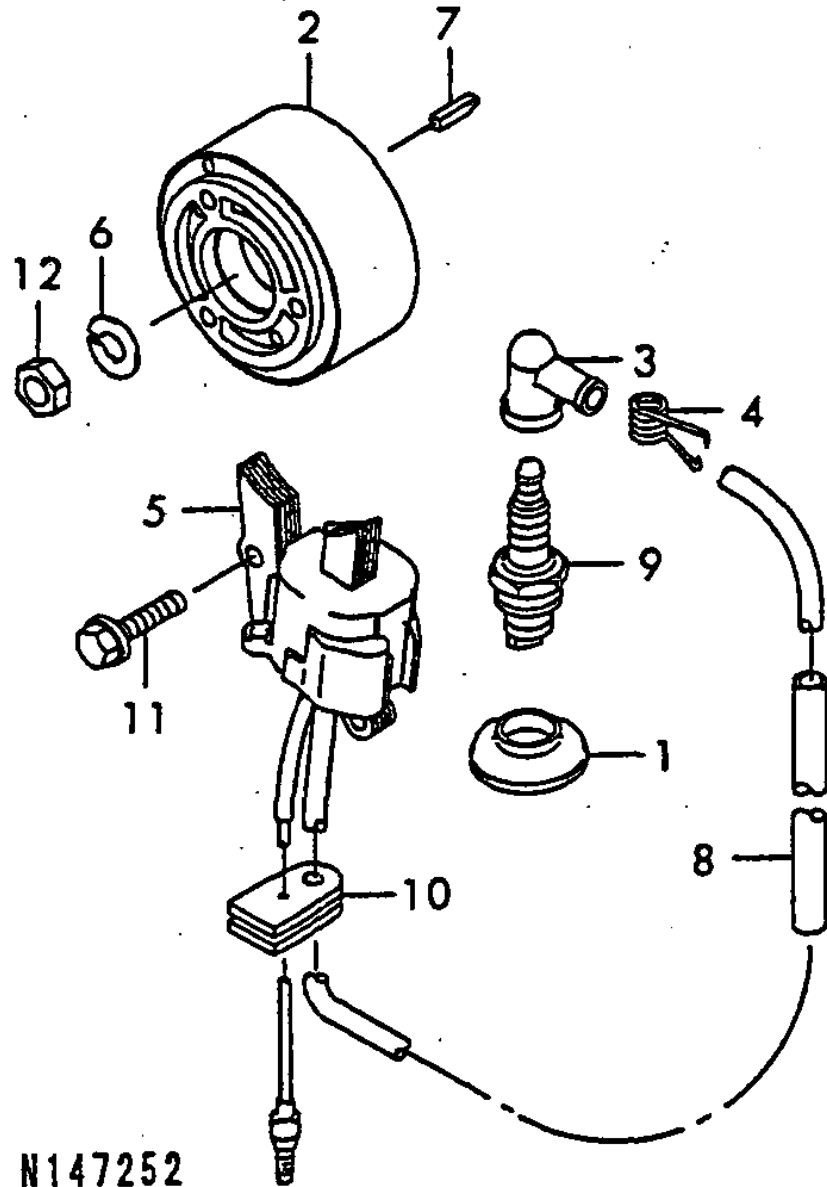
REF.	LEV.	PARTS NO.	DESCRIPTION	Q'TY						I	R
				(A)	(B)	(C)	(D)	(E)	(F)		
1	1	1Z4908-92242	SHROUD, RADIATOR	1							
2	1	1Z4908-92281	SHROUD, RADIATOR	1							
3	1	1Z9200-92285	SCREW	1							
4	1	1Z9215-12063	BOLT	2							



N147251

Fig.4. ELECTRICAL PARTS

4 . ELECTRICAL PARTS



N147252

OCNP3-G79000 4. ELECTRICAL PARTS

(A)=TEX54M-AB52

(B)=

(C)=

(D)=

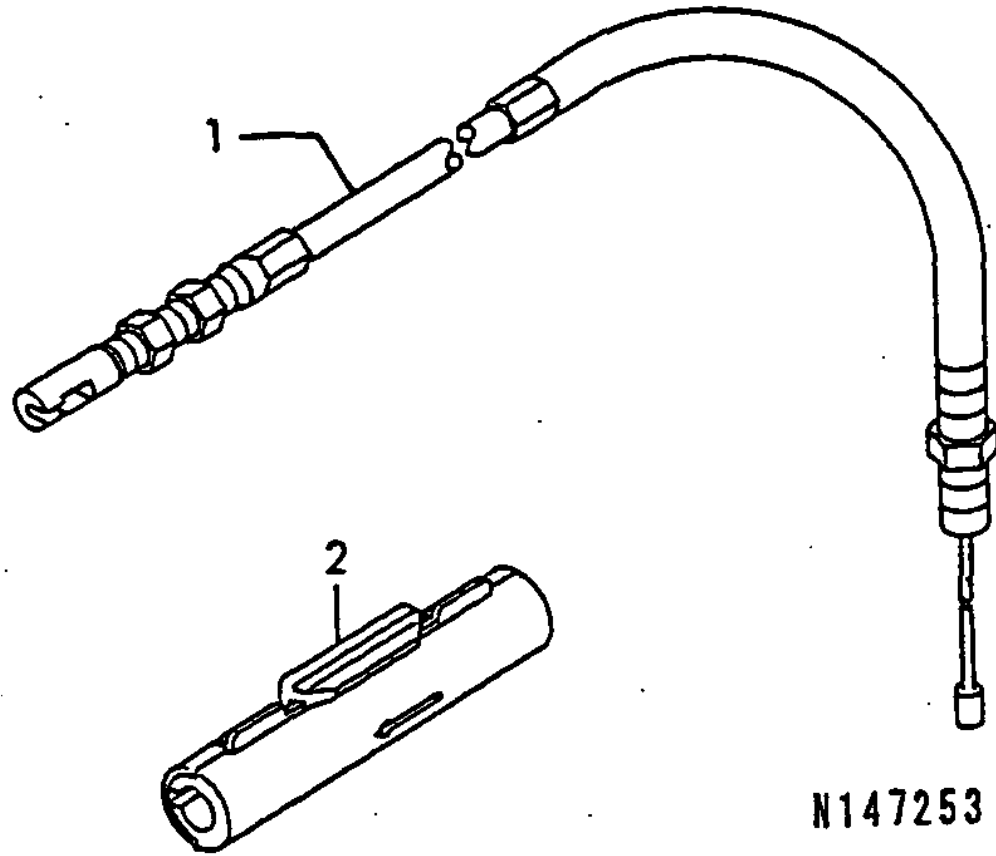
(E)=

(F)=

REF.	LEV.	PARTS NO.	DESCRIPTION	QTY						I	R
				(A)	(B)	(C)	(D)	(E)	(F)		
1	1	1Z1402-42084	COVER, DUST	1							
2	1	1Z2105-02260	FLYWHEEL,MAGNETO	1							
3	1	1Z2113-02056	CAP,SPARK PLUG	1							
4	1	1Z2116-92051	TERMINAL	1							
5	1	1Z2117-12201	COIL-ASSY-IGNITION	1							
6	1	1Z9202-22147	WASHER	1							
7	1	1Z9203-82078	KEY	1							
8	1	1Z9205-92233	TUBE 6X7.4X300	1							
9	1	1Z9207-02107	PLUG BPMR7A,SPARK	1							
10	1	1Z9207-12077	GROMMET	1							
11	1	1Z0014-05200	BOLT(5X20)	2							
12	1	1Z314R-10000	NUT-HEX-FINE	1							

Fig.5. CONTROLLING DEVICE

5. CONTROLLING DEVICE



0CNP3-G79000 5. CONTROLLING DEVICE

(A)=TEX54M-AB52

(B)=

(C)=

(D)=

(E)=

(F)=

REF.	LEV.	PARTS NO.	DESCRIPTION	QTY						I	R	
				(A)	(B)	(C)	(D)	(E)	(F)			
1	1	1Z5401-22611	CABLE, THROTTLE	1								
2	1	1Z3209-92326	CASE	1								

Fig.6. CARBURETOR

(A)=TEX54M-AB52

(B)=

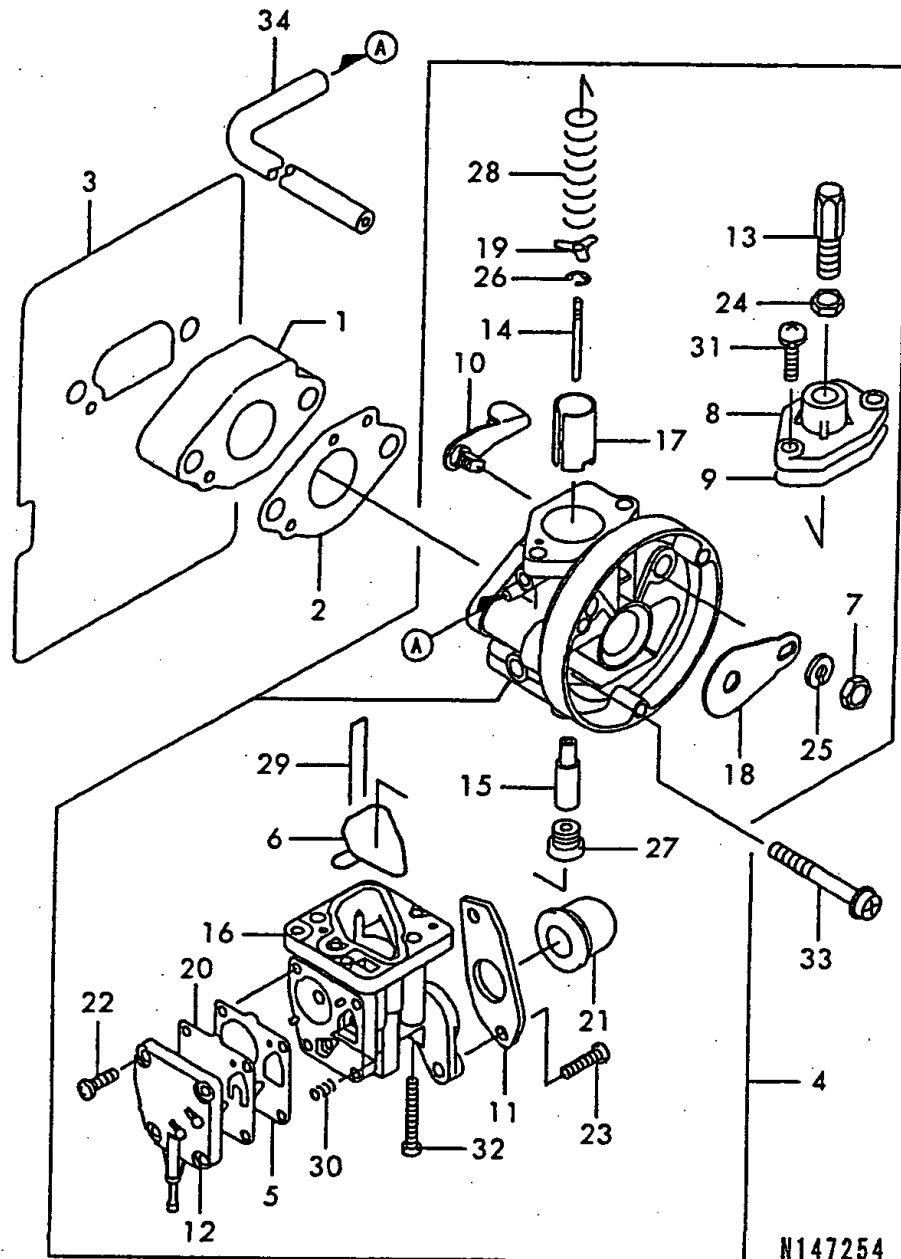
(C)=

(D)=

(E)=

(F)=

6. CARBURETOR



REF.	LEV.	PARTS NO.	DESCRIPTION	Q'TY						I	R
				(A)	(B)	(C)	(D)	(E)	(F)		
1	1	1Z1607-32182	INSULATOR	1							
2	1	1Z1106-02351	GASKET,CARBURETOR	1							
3	1	1Z1106-02384	GASKET	1							
4	1	1Z1500-32780	CARBURETOR ASSY	1							
5	2	1Z1100-92062	GASKET	1							
6	2	1Z1100-92524	GASKET	1							
7	2	1Z9201-52124	NUT	1							
8	2	1Z1101-22176	CAP	1							
9	2	1Z1106-02140	GASKET	1							
10	2	1Z1316-82125	LEVER	1							
11	2	1Z1318-32316	PLATE	1							
12	2	1Z1402-52022	COVER,PUMP	1							
13	2	1Z1600-22057	ADJUSTER-CABLE	1							
14	2	1Z1600-92054	NEEDLE #A107,JET	1							
15	2	1Z1601-72071	JET-NEEDLE	1							
16	2	1Z1602-02090	FLOAT CHAMBER ASS'Y	1							
17	2	1Z1602-52056	VALVE, THROTTLE	1							
18	2	1Z1612-62110	VALVE	1							
19	2	1Z1402-02062	RETAINER, SPRING	1							
20	2	1Z4302-82066	DIAPHRAM ASSY	1							
21	2	1Z4904-32065	PUMP	1							
22	2	1Z9200-92057	SCREW	4							
23	2	1Z9200-92211	BOLT 4X7	2							
24	2	1Z9201-52132	NUT	1							
25	2	1Z9202-22065	WASHER	1							
26	2	1Z9203-32070	RING,SNAP	1							
27	2	1Z9206-32313	JET(MAIN)#74	1							
28	2	1Z9208-12281	SPRING	1							
29	2	1Z9208-62058	WIRE	1							
30	2	1Z9214-42042	SPRING	2							
31	2	26022-040122	SCREW M 4X 12	2							
32	2	26023-040302	SCREW M 4X 30	2							
33	1	1Z9200-92374	SCREW M6X55	2							
34	1	1Z9205-92224	TUBE	1							

Fig.7. AIR FILTER & MUFFLER

(A)=TEX54M-AB52

(B)=

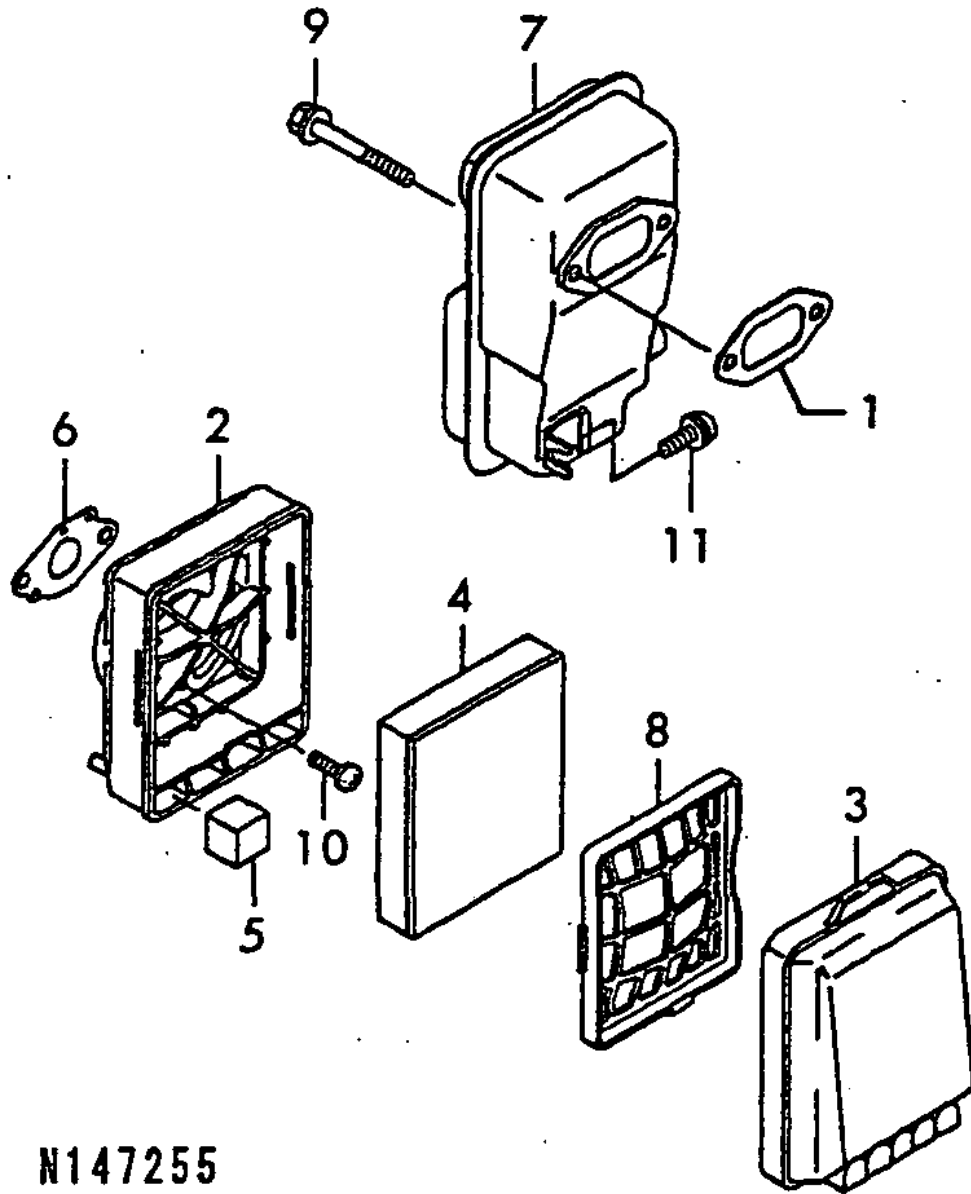
(C)=

(D)=

(E)=

(F)=

7. AIR FILTER & MUFFLER

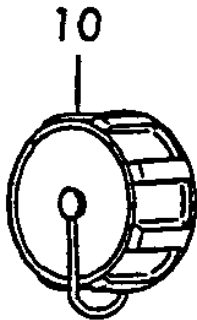
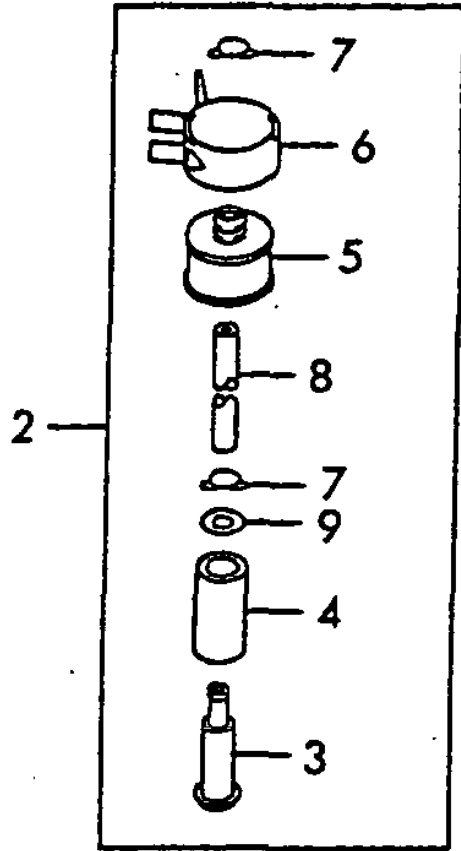


REF.	LEV.	PARTS NO.	DESCRIPTION	QTY						I	R
				(A)	(B)	(C)	(D)	(E)	(F)		
1	1	1Z1100-92774	GASKET	1							
2	1	1Z1101-12288	CASE,AIR FILTER	1							
3	1	1Z1101-22220	CAP,AIR FILTER	1							
4	1	1Z1101-32164	ELEMENT	1							
5	1	1Z1101-32178	ELEMENT AIR FILTER	1							
6	1	1Z1106-02114	GASKET	1							
7	1	1Z4907-02681	WASHER 5	1							
8	1	1Z5936-62066	GRATE	1							
9	1	1Z9215-02180	BOLT M 6X 65 PLATED	2							
10	1	1Z241B-04120	SCREW-PAN-WP+-	3							
11	1	26023-060142	SCREW M 6X 14	1							

N147255

Fig.8. FUEL TANK & FUEL VALVE

8. FUEL TANK & FUEL VALVE



N147256

OCNP3-G79000 8. FUEL TANK & FUEL VALVE

(A)=TEX54M-AB52

(B)=

(C)=

(D)=

(E)=

(F)=

REF.	LEV.	PARTS NO.	DESCRIPTION	QTY						I	R
				(A)	(B)	(C)	(D)	(E)	(F)		
1	1	1Z1406-92055	BREATHER	1							
2	1	1Z4901-92087	FILTER,FUEL	1							
3	2	1Z1304-22058	WEIGHT	1							
4	2	1Z4901-92063	FILTER-FUEL	1							
5	2	1Z5907-12077	JOINT	1							
6	2	1Z9203-72109	CLAMP	1							
7	2	1Z9203-72163	CLAMP	2							
8	2	1Z9205-92217	TUBE	1							
9	2	1Z411S-05000	WASHER-PLAIN	1							
10	1	1Z5104-82074	CAP-ASSY-TANK	1							
11	1	1Z9217-02082	CLAMP	2							
12	1	1Z5104-82074	CAP-ASSY-TANK	1							

Fig.9. STARTER

(A)=TEX54M-AB52

(B)=

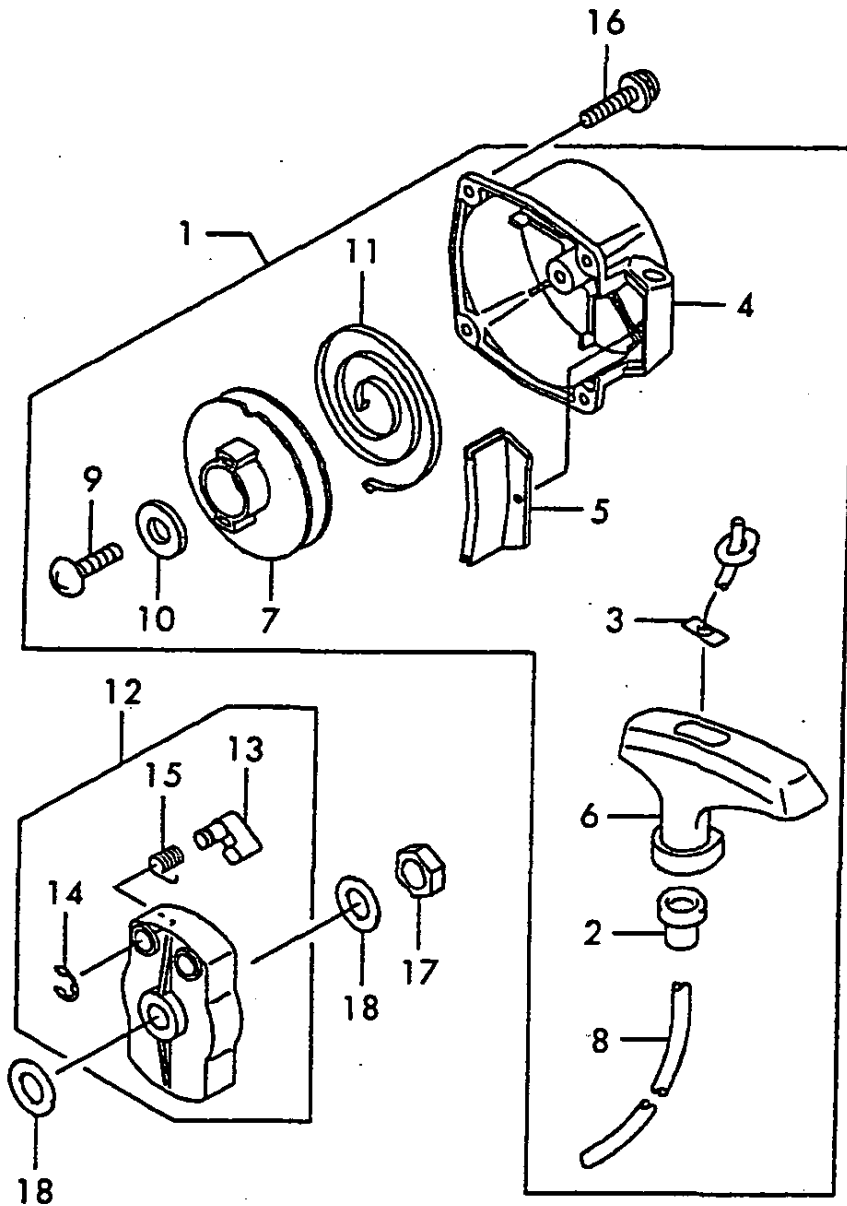
(C)=

(D)=

(E)=

(F)=

9. STARTER

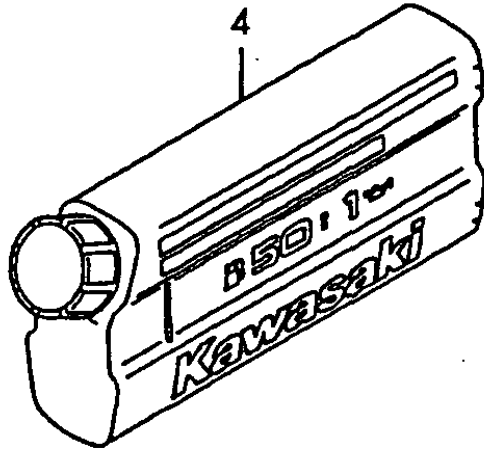
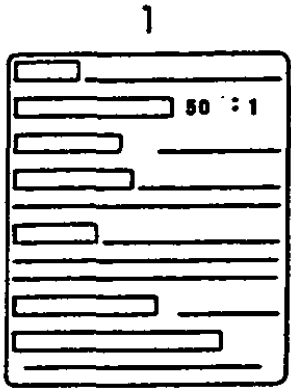


N147257

REF.	LEV.	PARTS NO.	DESCRIPTION	QTY						I	R
				(A)	(B)	(C)	(D)	(E)	(F)		
1	1	1Z4908-82311	STARTER COMP.,RECOIL	1							
2	2	1Z1307-02064	GUIDE,ROPE	1							
3	2	1Z1316-92386	PLATE	1							
4	2	1Z3209-92135	CASE,COIL STARTER	1							
5	2	1Z3209-92136	CASE,COIL STARTER	1							
6	2	1Z4607-52067	GRIP,RECOIL STARTER	1							
7	2	1Z5910-12074	PULLEY,COIL STARTER	1							
8	2	1Z5910-62092	ROPE,3.8X1150	1							
9	2	1Z9200-92218	SCREW	1							
10	2	1Z9202-22237	WASHER	1							
11	2	1Z9214-42040	SPRING	1							
12	1	1Z4908-02136	PULLEY, STARTER	1							
13	2	1Z1316-52070	PAWL RECOIL	1							
14	2	1Z9203-32010	RING-SNAP	1							
15	2	1Z9214-42046	SPRING,RETURN	1							
16	1	1Z9200-92386	SCREW,4X16	4							
17	1	26776-100002	LOCK NUT M10 PLATED	1							
18	1	22117-100000	WASHER 10	2							

Fig.10. LABELS & ACCESSORIES

10. LABELS & ACCESSORIES



N147258

OCNP3-G79000 10. LABELS & ACCESSORIES

(A)=TEX54M-AB52

(B)=

(C)=

(D)=

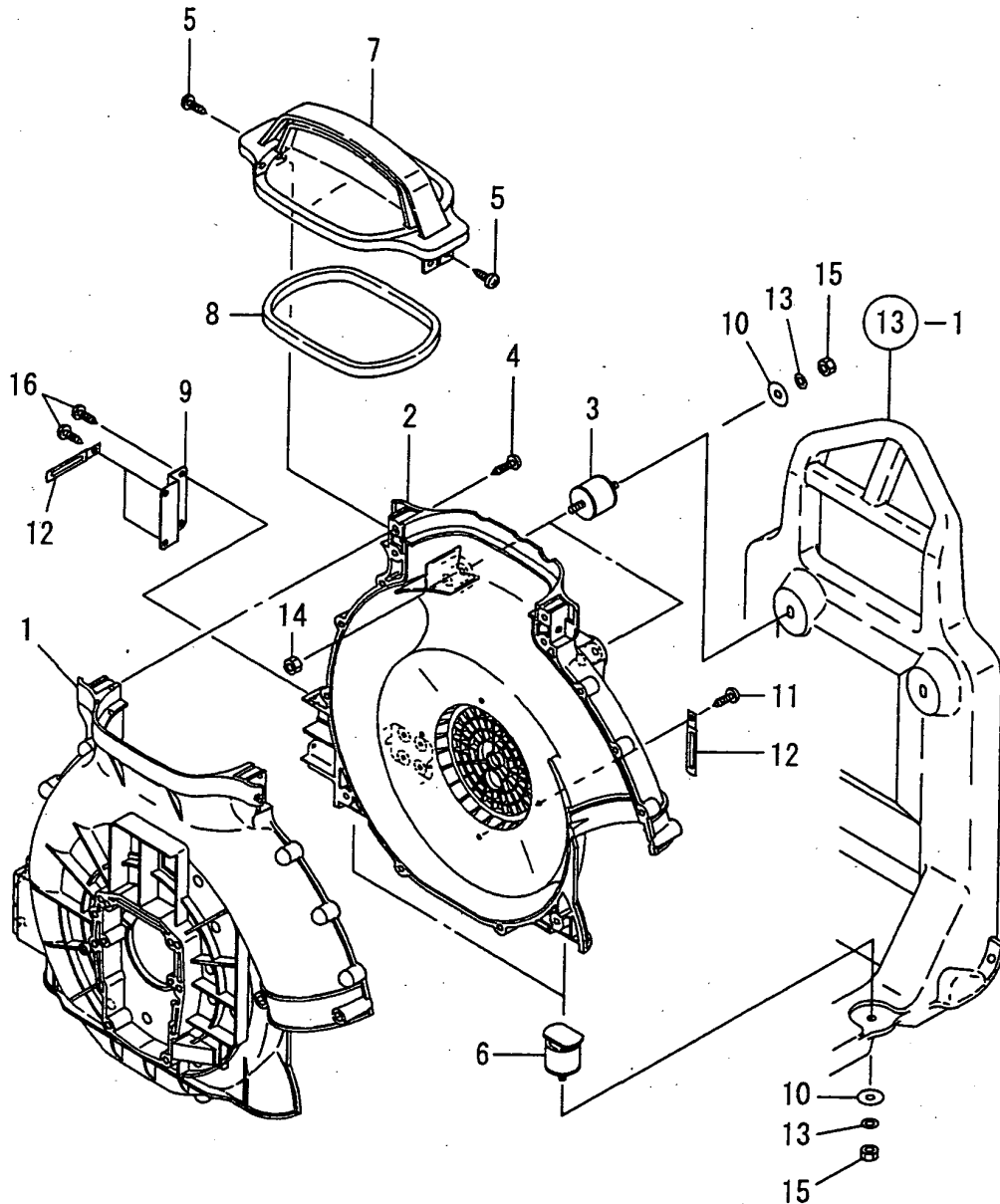
(E)=

(F)=

REF.	LEV.	PARTS NO.	DESCRIPTION	QTY						I	R
				(A)	(B)	(C)	(D)	(E)	(F)		
1	1	1Z5603-12489	LABEL-MANUAL	1							
2	1	1Z5603-92726	LABEL,PRODUCT	1							
3	1	1Z5608-02250	LABEL,BRAND	1							
4	1	1Z5100-12300	TANK CMP(FUEL)MXR	1							

Fig.11. FAN CASE

11. FAN CASE



N146810

(A)=SE500

(B)=

(C)=

(D)=

(E)=

(F)=

REF.	LEV.	PARTS NO.	DESCRIPTION	QTY						I	R
				(A)	(B)	(C)	(D)	(E)	(F)		
1	1	1D2270-11020	CASE,FAN A	1							
2	1	1D2260-11060	CASE FAN B	1							
3	1	1D2123-11070	RUBBER,CUSHION	2							
4	1	1D2260-11210	SCREW M 5X 25	14							
5	1	1D2260-11230	TAPPING SCREW 5X16	4							
6	1	1D2260-11250	RUBBER, CHSHION	2							
7	1	1Q0170-11300	CAP(CASE,FAN	1							
8	1	1Q0170-11310	PACKING(CAP	1							
9	1	1Q0170-11320	CAP(CAXE,LEVER	1							
10	1	1D2050-35790	WASHER 6X16X1	4							
11	1	1D2260-42040	SCREW5X12	1							
12	1	1D2050-65010	BAND,WIRE LOCK	3							
13	1	22217-060000	SPRING WASHER 6	4							
14	1	26717-060002	NUT M 6	2							
15	1	26713-060002	NUT M 6	4							
16	1	1D2260-42040	SCREW5X12	4							

Fig.13. KNAPSAK FRAME

0CNP3-G79000 13. KNAPSAK FRAME

(A)=SE500
(B)=
(C)=

(D)=
(E)=
(F)=

13. KNAPSAK FRAME

REF.	LEV.	PARTS NO.	DESCRIPTION	QTY						I	R	
				(A)	(B)	(C)	(D)	(E)	(F)			
1	1	1Q0170-22020	FRAME,SHOULDER	1								

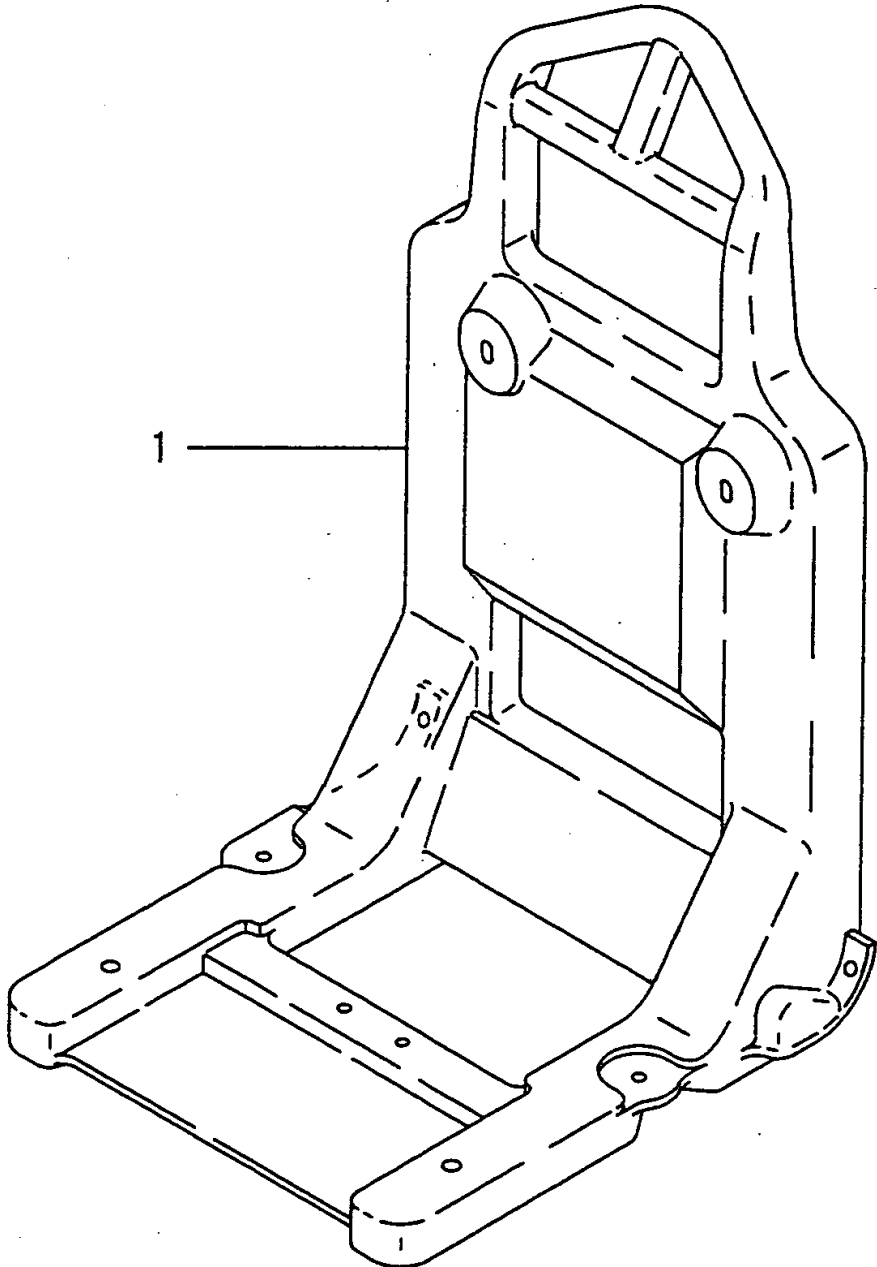
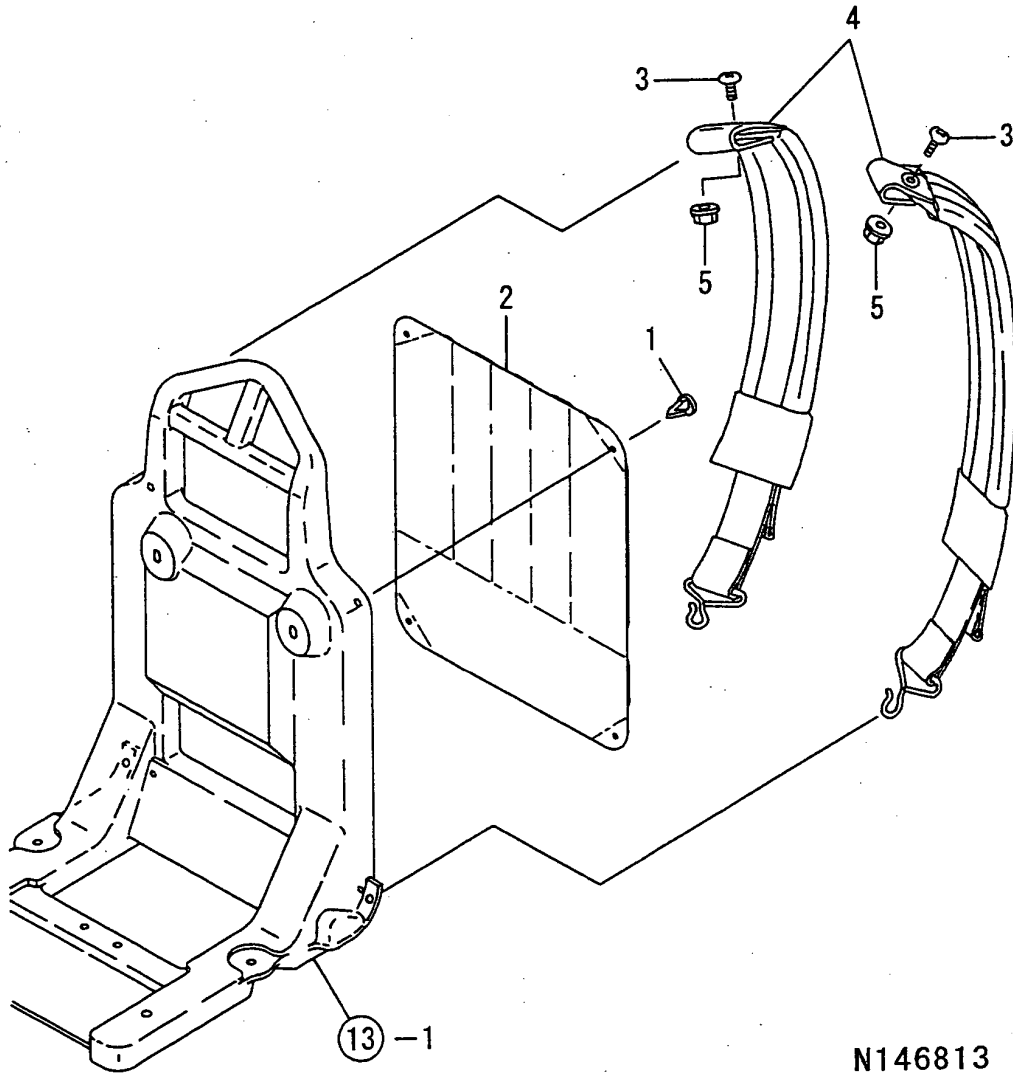


Fig.14. SHOULDER CUSHION & STRAP

14. SHOULDER CUSHION & STRAP



N146813

OCNP3-G79000 14. SHOULDER CUSHION & STRAP

(A)=SE500

(B)=

(C)=

(D)=

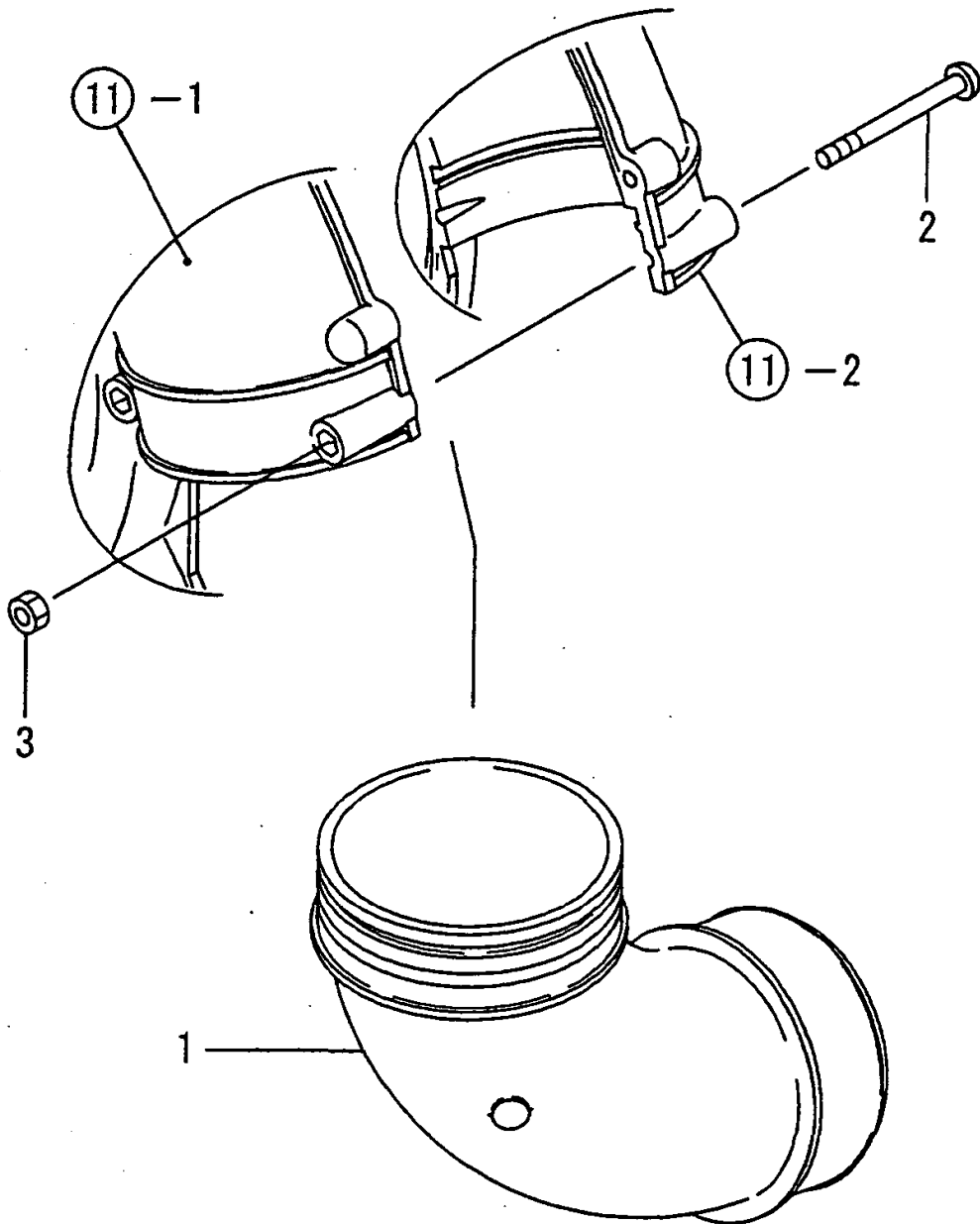
(E)=

(F)=

REF.	LEV.	PARTS NO.	DESCRIPTION	QTY						I	R	
				(A)	(B)	(C)	(D)	(E)	(F)			
1	1	1D2090-12130	CLIP,ANCHOR	4								
2	1	1D2260-22110	PAD,SHOULDER	1								
3	1	1Q0140-18510	SCREW 6X16	2								
4	1	1D2133-22100	STRAP,SHOULDER	2								
5	1	26367-060002	NUT M 6	2								

Fig.15. BEND PIPE & COILED PIPE

15. BEND PIPE & COILED PIPE



(A)=SE500
(B)=
(C)=
(D)=
(E)=
(F)=

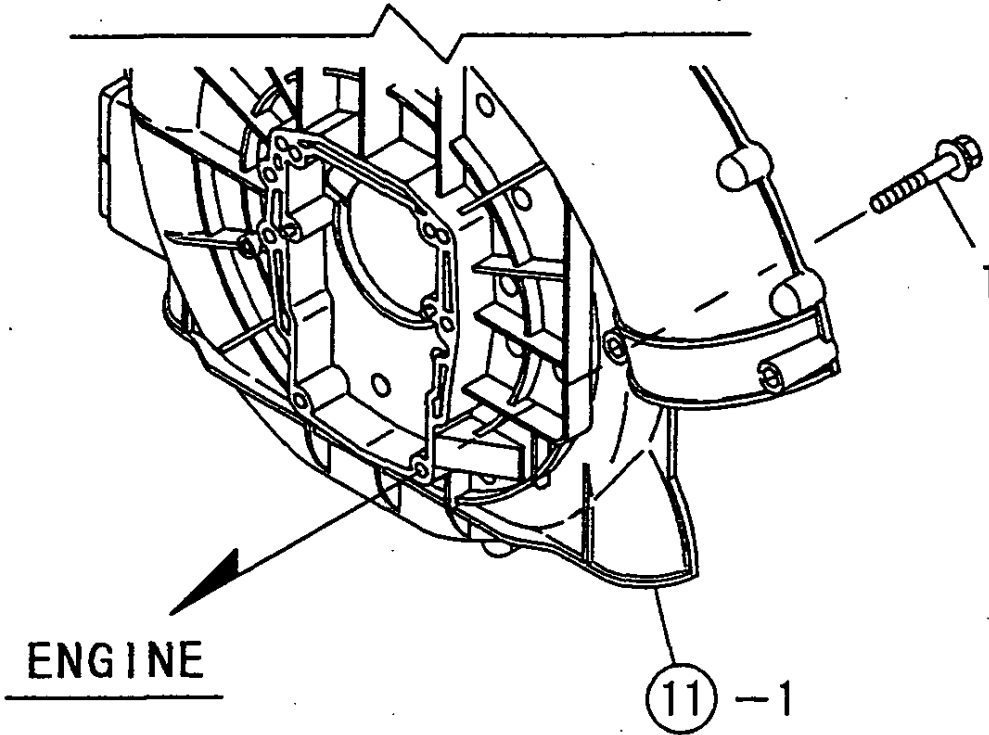
REF.	LEV.	PARTS NO.	DESCRIPTION	QTY						I	R	
				(A)	(B)	(C)	(D)	(E)	(F)			
1	1	1Q0170-46030	BEND	1								
2	1	1D2260-46070	SCREW M 5X 60	2								
3	1	26717-050002	NUT M 5	2								

Fig.16. ENGINE MOUNTING

(A)=SE500
(B)=
(C)=

(D)=
(E)=
(F)=

16. ENGINE MOUNTING



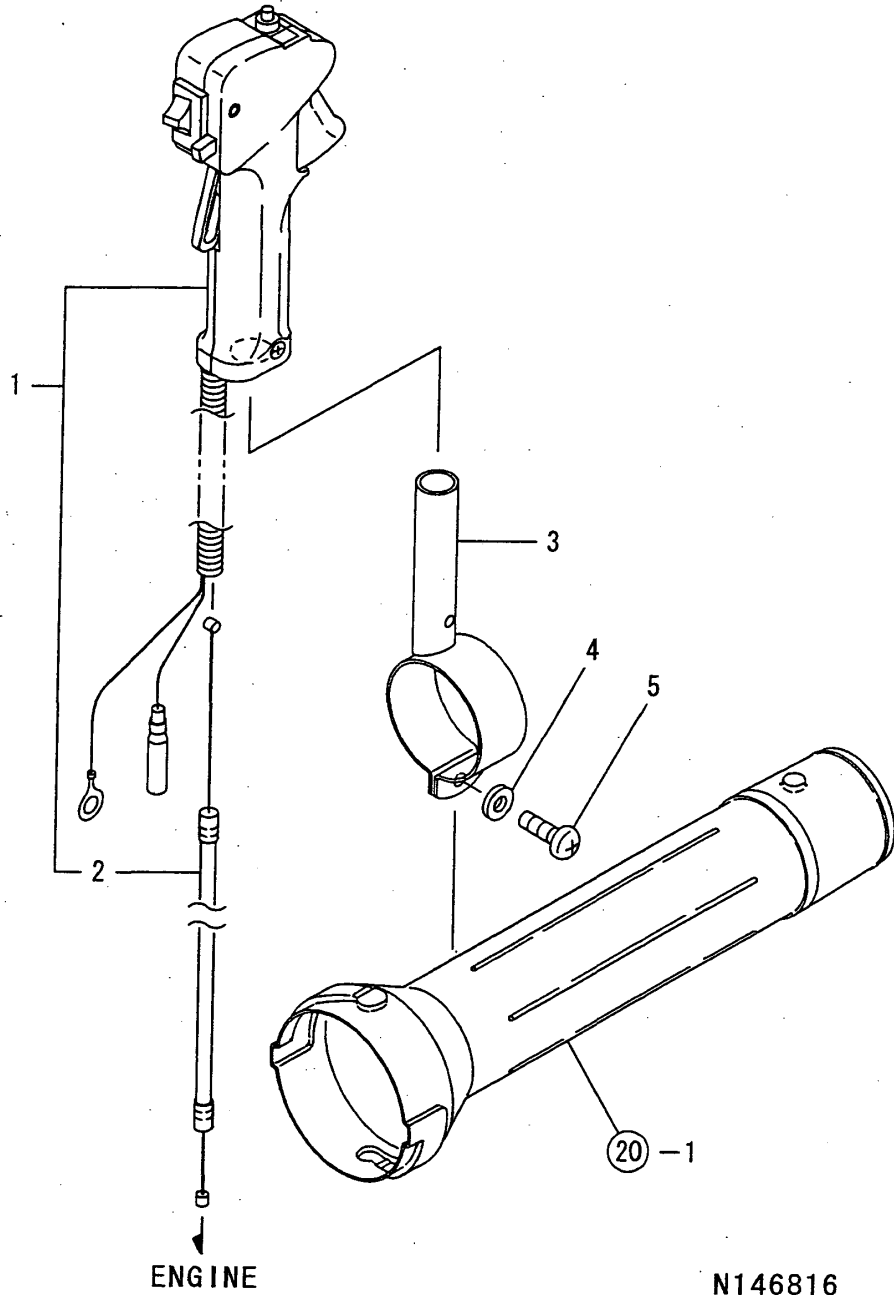
REF.	LEV.	PARTS NO.	DESCRIPTION	Q'TY						I	R
				(A)	(B)	(C)	(D)	(E)	(F)		
1	1	26014-060604	BOLT W/WASHER 6*60	4							

N:Old $\begin{smallmatrix} \leftarrow \text{Yes} \\ \text{No} \rightarrow \end{smallmatrix}$ New, Q:Old $\begin{smallmatrix} \leftarrow \text{No} \\ \text{Yes} \rightarrow \end{smallmatrix}$ New, R:Old $\begin{smallmatrix} \leftarrow \text{Yes} \\ \text{No} \rightarrow \end{smallmatrix}$ New, S:Old $\begin{smallmatrix} \leftarrow \text{No} \\ \text{Yes} \rightarrow \end{smallmatrix}$ New, W:Add, Z:Discontinued, F:Interchangeable by set, K:Q'ty Change
(C)Copy Rights YANMAR CO.,LTD.

Fig.17. ACCELERATOR

OCNP3-G79000 17. ACCELERATOR

17. ACCELERATOR



(A)=SE500
(B)=
(C)=

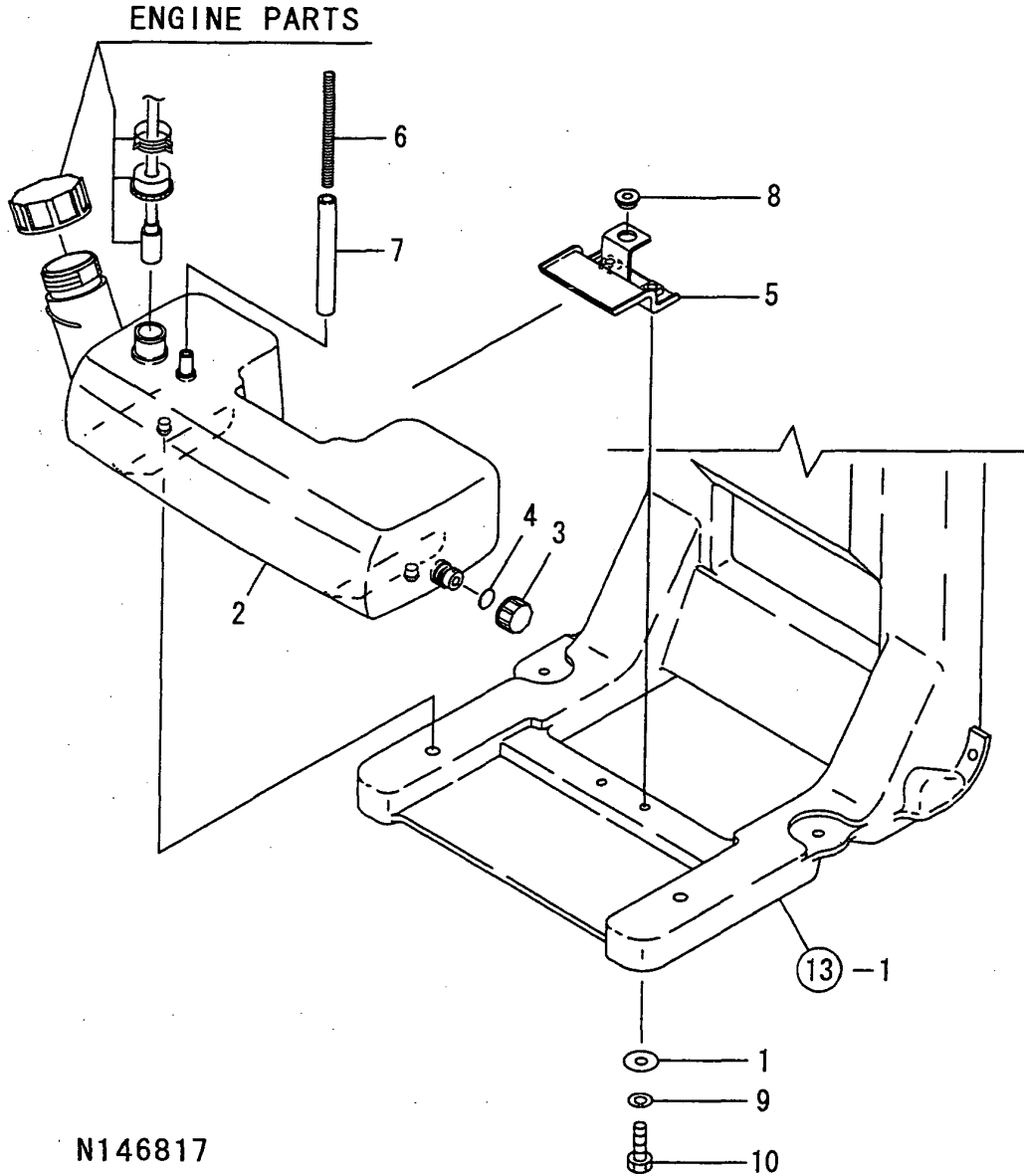
(D)=
(E)=
(F)=

REF.	LEV.	PARTS NO.	DESCRIPTION	QTY						I	R
				(A)	(B)	(C)	(D)	(E)	(F)		
1	1	1Q0170-52010	LEVER,THROTTLE ASY	1							
2	2	1Q0170-52020	WIRE,THROTTLE	1							
3	1	1Q0140-52050	STAY,SLOTTLE CMP	1							
4	1	22137-060000	WASHER 6, POLISHED	1							
5	1	26557-060202	SCREW M 6X 20	1							

N146816

Fig.18. FUEL TANK

18. FUEL TANK



OCNP3-G79000 18. FUEL TANK

(A)=SE500

(B)=

(C)=

(D)=

(E)=

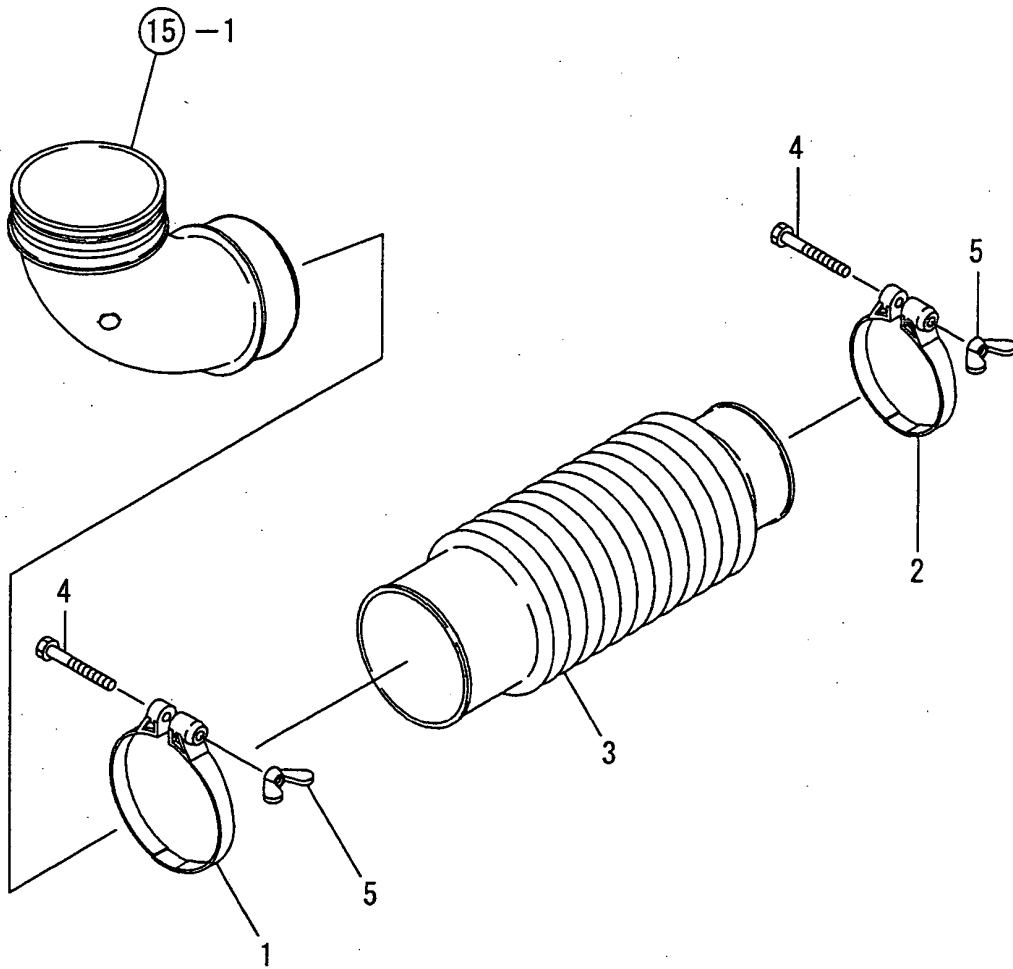
(F)=

REF.	LEV.	PARTS NO.	DESCRIPTION	QTY						I	R
				(A)	(B)	(C)	(D)	(E)	(F)		
1	1	1D2050-35790	WASHER 6X16X1	2							
2	1	1D2260-53020	TANK,FUEL	1							
3	1	1D2120-53100	CAP, DRAIN	1							
4	1	1D2120-53110	PACKING 13.5X1	1							
5	1	1D2260-53110	STAY COMP.,FUEL TANK	1							
6	1	1D2120-53160	PIPE,FUEL COILED	1							
7	1	1D2260-53161	PIPE,FC7X11X95	1							
8	1	183720-55210	GROMMET	1							
9	1	22217-060000	SPRING WASHER 6	2							
10	1	26117-060162	BOLT M 6X 16 PLATED	2							

N146817

Fig.19. FLEXIBLE HOSE

19. FLEXIBLE HOSE



0CNP3-G79000 19. FLEXIBLE HOSE

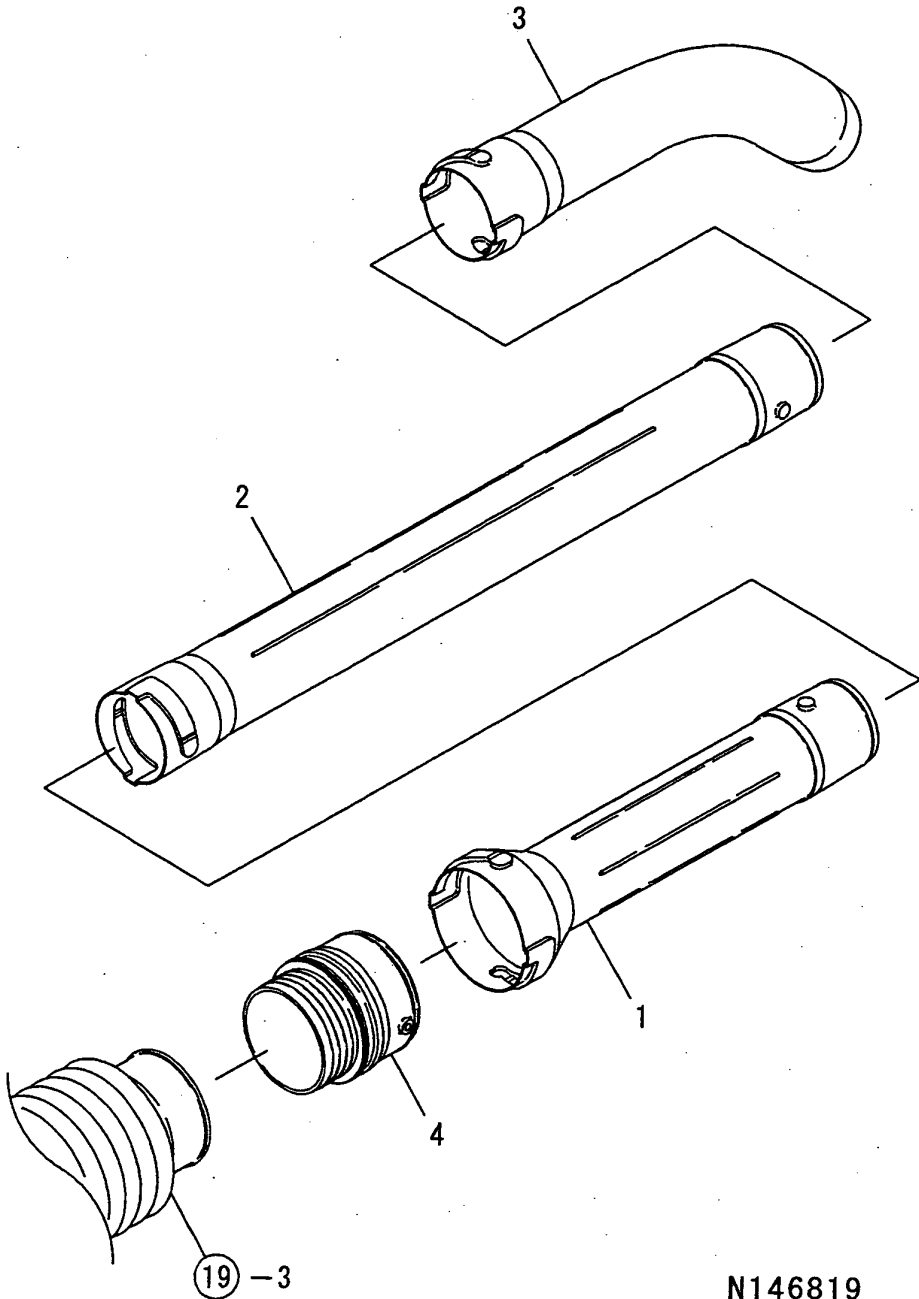
(A)=SE500
(B)=
(C)=

(D)=
(E)=
(F)=

REF.	LEV.	PARTS NO.	DESCRIPTION	QTY						I	R	
				(A)	(B)	(C)	(D)	(E)	(F)			
1	1	1D2260-61060	BAND96	1								
2	1	1D2260-61110	BAND81	1								
3	1	1Q0170-61010	FLEXIBLE HOSE	1								
4	1	26117-060554	BOLT M 6X 55	2								
5	1	26635-060002	WING NUT M 6	2								

Fig.20. DUSTING PIPE

20. DUSTING PIPE



N146819

0CNP3-G79000 20. DUSTING PIPE

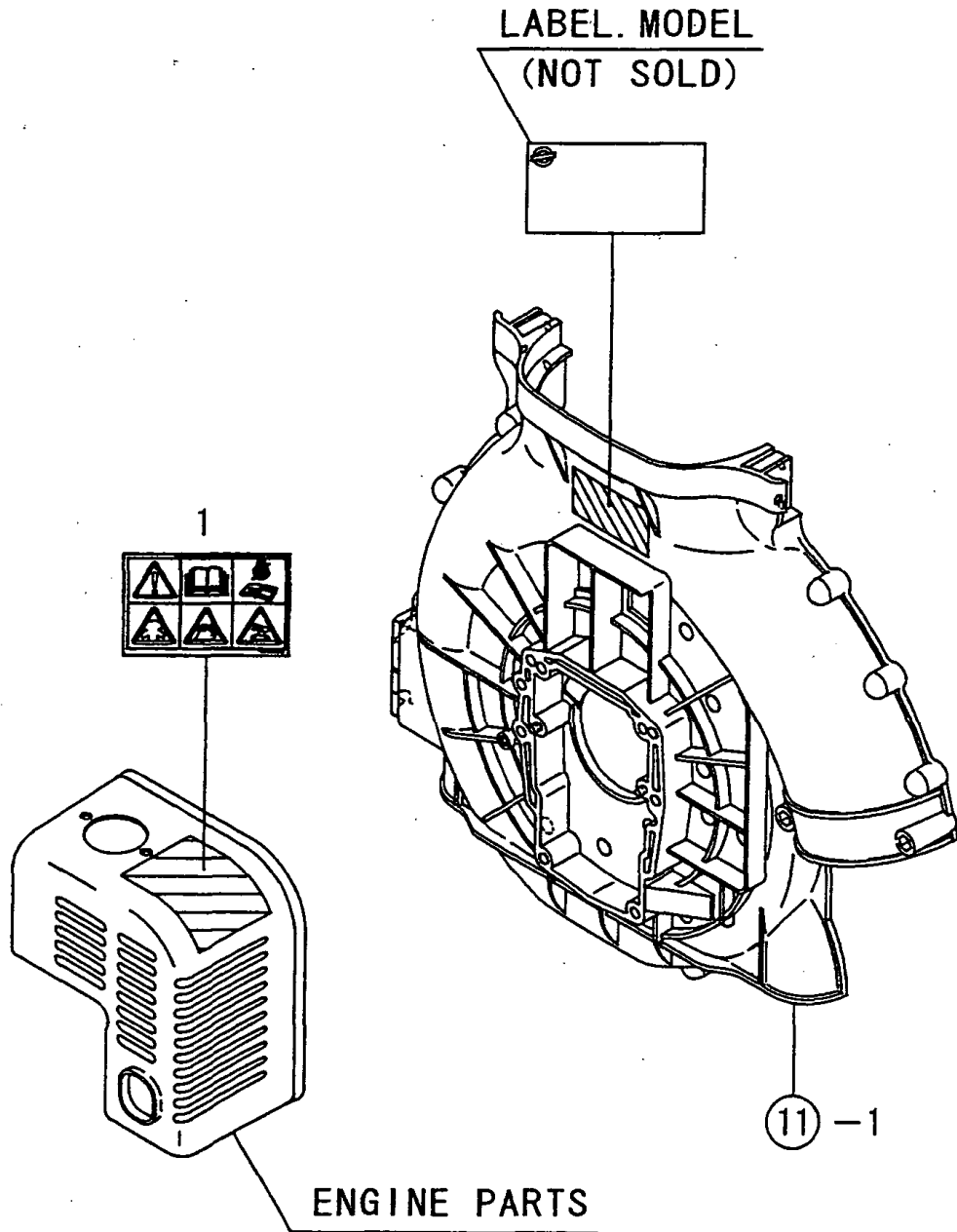
(A)=SE500
(B)=
(C)=

(D)=
(E)=
(F)=

REF.	LEV.	PARTS NO.	DESCRIPTION	QTY						I	R
				(A)	(B)	(C)	(D)	(E)	(F)		
1	1	1D2260-61510	PIPE	1							
2	1	1D2260-61520	CONNECTING PIPE	1							
3	1	1D2260-61530	BLOWING PIPE	1							
4	1	1D2260-61150	JOINT	1							

Fig.21. LABELS

21. LABELS



(A)=SE500
(B)=
(C)=

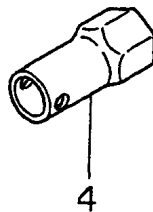
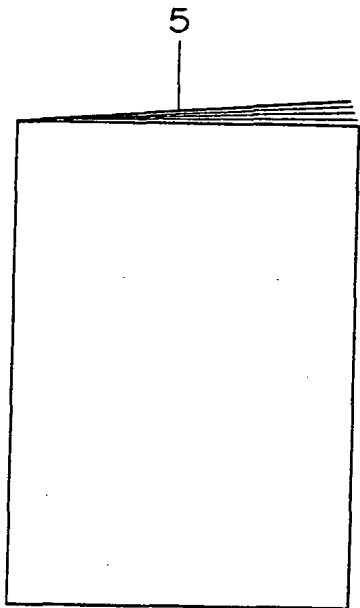
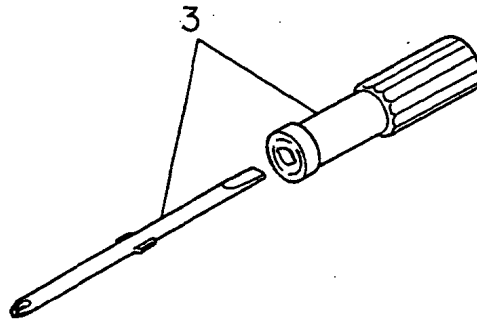
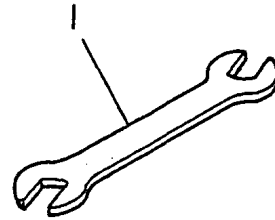
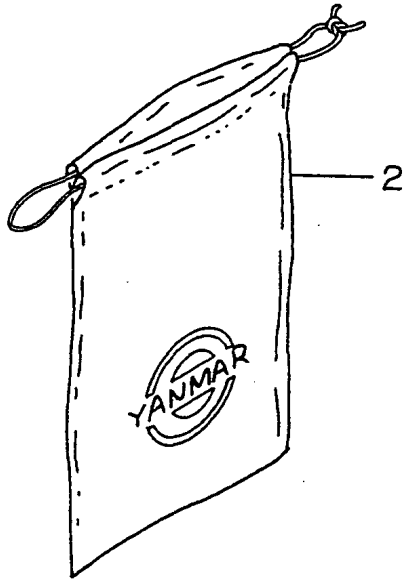
(D)=
(E)=
(F)=

REF.	LEV.	PARTS NO.	DESCRIPTION	QTY						I	R	
				(A)	(B)	(C)	(D)	(E)	(F)			
1	1	1Q0140-91050	MARK,CAUTION	1								

N:Old $\begin{matrix} \leftarrow \text{Yes} \\ \text{No} \end{matrix}$ New, Q:Old $\begin{matrix} \leftarrow \text{No} \\ \text{Yes} \end{matrix}$ New, R:Old $\begin{matrix} \leftarrow \text{Yes} \\ \text{Yes} \end{matrix}$ New, S:Old $\begin{matrix} \leftarrow \text{No} \\ \text{No} \end{matrix}$ New, W:Add, Z:Discontinued, F:Interchangeable by set, K:Q'ty Change
(C)Copy Rights YANMAR CO.,LTD.

Fig.22. TOOLS & ACCESSORIES

22. TOOLS & ACCESSORIES



OCNP3-G79000 22. TOOLS & ACCESSORIES

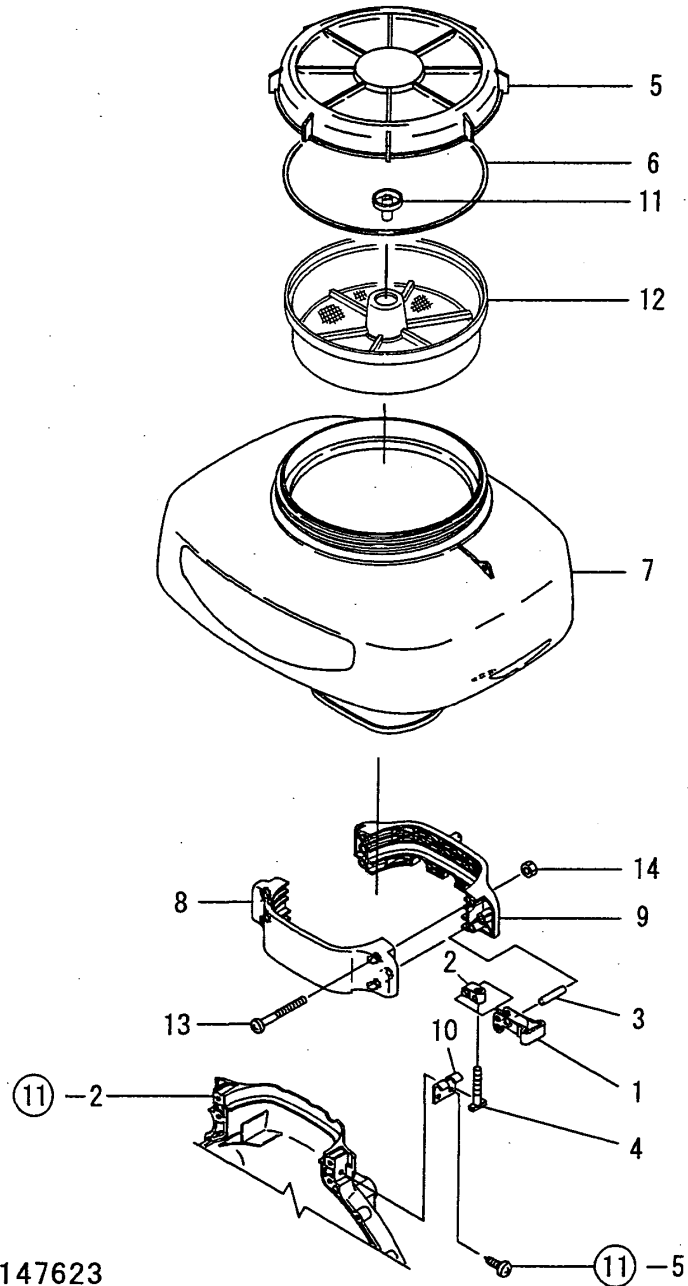
(A)=SE500
(B)=
(C)=

(D)=
(E)=
(F)=

REF.	LEV.	PARTS NO.	DESCRIPTION	QTY						I	R
				(A)	(B)	(C)	(D)	(E)	(F)		
1	1	1D2010-18110	SPANNER 8X10	1							
2	1	1A1540-87030	TOOL BAG	1							
3	1	1D2040-87060	SCREWDRIVER,COMBINAT	1							
4	1	1D2133-92010	DRIVER 19,PLUG	1							
5	1	1Q0170-93250	MANUAL	1							

Fig.23. CHEMICAL TANK

23. CHEMICAL TANK



N147623

OCNP3-G79000 23. CHEMICAL TANK

(A)=SE500-OP

(B)=

(C)=

(D)=

(E)=

(F)=

REF.	LEV.	PARTS NO.	DESCRIPTION	QTY						I	R
				(A)	(B)	(C)	(D)	(E)	(F)		
1	1	1D2260-11100	FIT LCK(LIQ.TK.CMP	2							
2	1	1D2260-11120	NUT ADJST(LIQ.TK.FIX	2							
3	1	1D2260-11140	PIN8X37	2							
4	1	1D2260-11150	FITTING(LIQ.TANK	2							
5	1	1D2260-31020	LID	1							
6	1	1D2133-31100	PACKING,TANK CAP	1							
7	1	1D2260-31160	LIQUID TANK(MIST26	1							
8	1	1D2260-31220	STAY,FIT(LIQ.TANKA	1							
9	1	1D2260-31240	STAY,FIT(LIQ.TANKB	1							
10	1	1D2260-31250	BRACKET(LIQ.TANK.FIX	2							
11	1	1D2042-31310	CAP, PIPE	1							
12	1	1D2090-85800	FUNNEL	1							
13	1	26553-060502	SCREW 6* 50	4							
14	1	26713-060002	NUT M 6	4							

Fig.24. STIRRING VESSEL & TAP,MIST

(A)=SE500-OP

(B)=

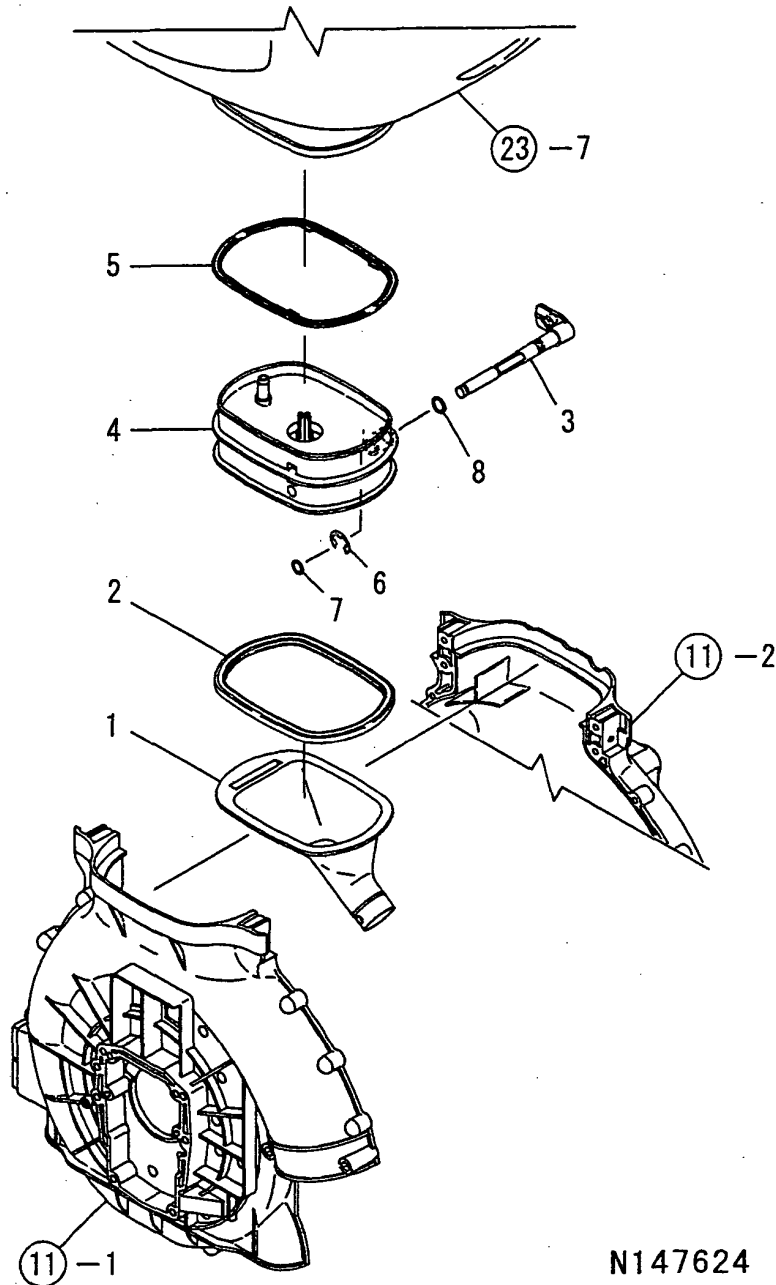
(C)=

(D)=

(E)=

(F)=

24. STIRRING VESSEL & TAP,MIST

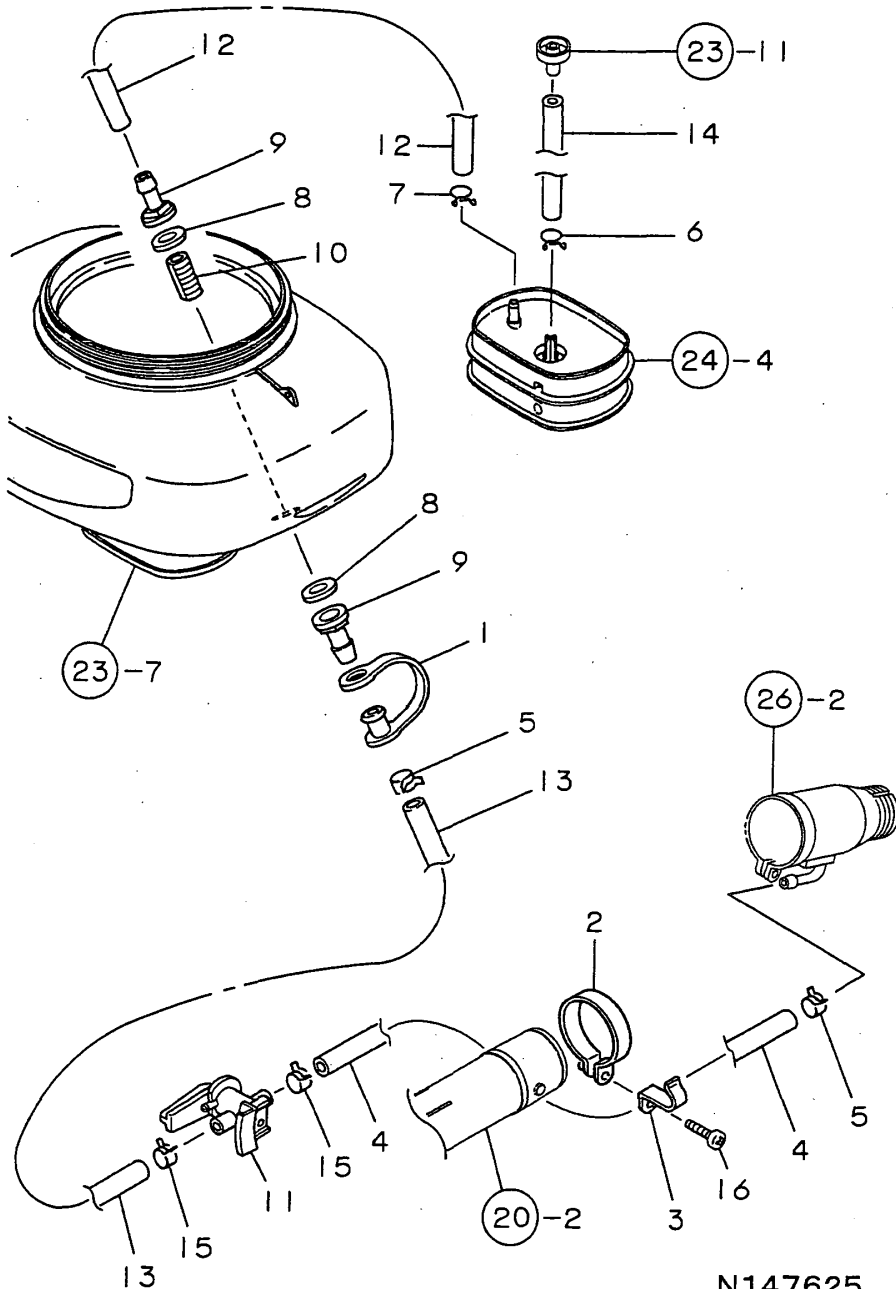


REF.	LEV.	PARTS NO.	DESCRIPTION	QTY						I	R
				(A)	(B)	(C)	(D)	(E)	(F)		
1	1	1D2260-32010	STIRRING VESSEL A	1							
2	1	1D2260-32020	PACKING(STIR.VESSEL	1							
3	1	1D2260-44390	SHAFT(SHUTTER B	1							
4	1	1D2260-64210	TAP,MIST	1							
5	1	1D2260-64270	PACKING(TAP,MIST	1							
6	1	22273-000090	CIRCLIP E- 9	1							
7	1	24311-000060	O-RING 1A P-6.0	1							
8	1	24311-000080	O-RING 1A P-8.0	1							

N147624

Fig.25. PRESSURE PIPE & FEEDING PIPE

25. PRESSURE PIPE & FEEDING PIPE



N147625

OCNP3-G79000 25. PRESSURE PIPE & FEEDING PIPE

(A)=SE500-OP

(B)=

(C)=

(D)=

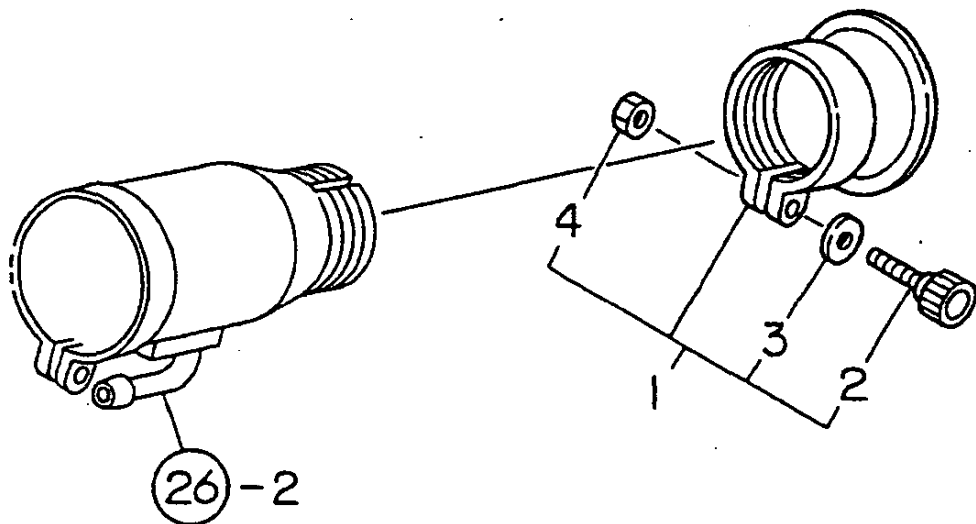
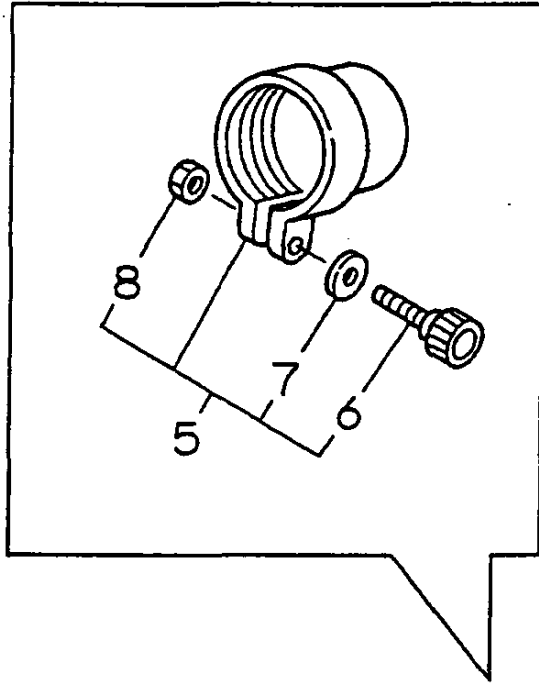
(E)=

(F)=

REF.	LEV.	PARTS NO.	DESCRIPTION	QTY						I	R
				(A)	(B)	(C)	(D)	(E)	(F)		
1	1	1D2040-13510	PLUG	1							
2	1	1D2040-17400	BAND	1							
3	1	1D2040-17430	CLIP	1							
4	1	1D2050-25350	FEEDING HOSE	1							
5	1	1D2040-25360	PIPE BAND	2							
6	1	1D2050-25381	HOSE BAND 15	1							
7	1	1D2050-25390	HOSE BAND 13	1							
8	1	1D2050-28010	PACKING 20X14X2	2							
9	1	1D2050-36103	FEEDING PIPE JOINT A	2							
10	1	1D2050-36111	FEEDING PIPE JOINT B	1							
11	1	1S8120-49010	MIST COCK ASS'Y	1							
12	1	1D2091-65200	PIPE-1 10X300,WATER	1							
13	1	1D2120-65240	WATER PIPE	1							
14	1	1D2090-85010	PIPE 8X12X600,PRESS.	1							
15	1	23080-015000	CLAMP	2							
16	1	26557-050202	SCREW M 5X 20	1							

Fig.27. DIFFUSION & JET NOZZLE

27. DIFFUSION & JET NOZZLE



OCNP3-G79000 27. DIFFUSION & JET NOZZLE

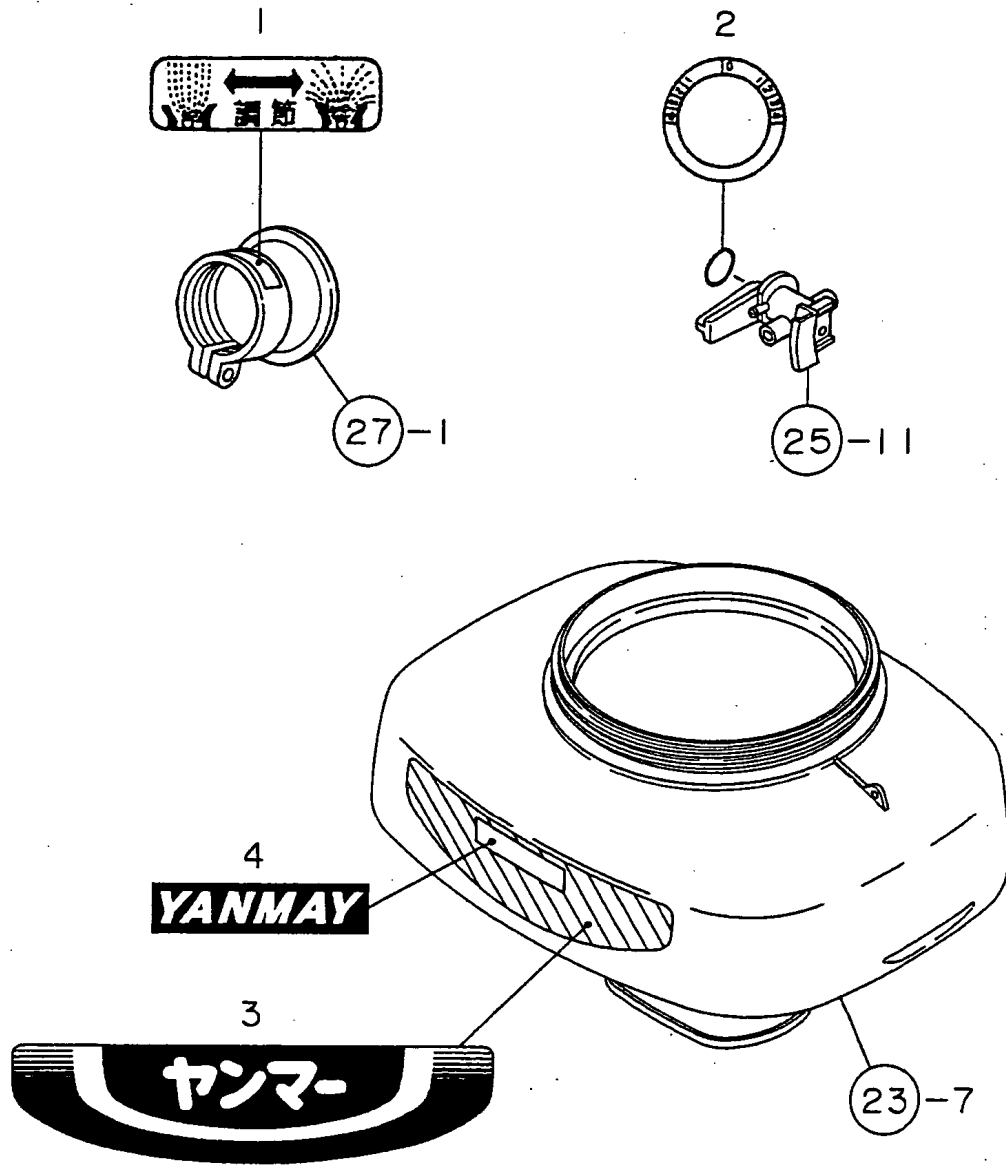
(A)=SE500-OP
(B)=
(C)=

(D)=
(E)=
(F)=

REF.	LEV.	PARTS NO.	DESCRIPTION	Q'TY						I	R
				(A)	(B)	(C)	(D)	(E)	(F)		
1	1	1D2040-25550	DIFFUSION NOZZLE RIN	1							
2	2	1D2040-25570	BOLT	1							
3	2	22137-050000	WASHER 5, POLISHED	1							
4	2	26717-050002	NUT M 5	1							
5	1	1D2040-25560	JET NOZZLE RING	1							
6	2	1D2040-25570	BOLT	1							
7	2	22137-050000	WASHER 5, POLISHED	1							
8	2	26717-050002	NUT M 5	1							

Fig.28. LABELS

28. LABELS



0CNP3-G79000 28. LABELS

(A)=SE500-OP
(B)=
(C)=

(D)=
(E)=
(F)=

REF.	LEV.	PARTS NO.	DESCRIPTION	QTY						I	R
				(A)	(B)	(C)	(D)	(E)	(F)		
1	1	1D2040-17080	LABLE	1							
2	1	1D2040-88100	LABLE	1							
3	1	1D2260-91021	MARK(ORNAMENT	1							
4	1	1Q0170-91020	MARK(YAMMAR	1							

Part Number Index

All parts are stipulated in the order of part numbers.

(Depending on the area in which the part is used.)

This index will display the location of the part according to each part number.

PARTS No. INDEX

PARTS No.	Fig.	Ref.No.
183720-55210	18	8
1A1540-87030	22	2
1D2010-18110	22	1
1D2040-13510	25	1
1D2040-17080	28	1
1D2040-17400	25	2
1D2040-17430	25	3
1D2040-18120	26	1
1D2040-25360	25	5
1D2040-25410	26	2
1D2040-25500	26	3
1D2040-25550	27	1
1D2040-25560	27	5
1D2040-25570	27	2
		6
1D2040-87060	22	3
1D2040-88100	28	2
1D2042-31310	23	11
1D2050-25350	25	4
1D2050-25381	25	6
1D2050-25390	25	7
1D2050-28010	25	8
1D2050-35790	11	10
	18	1
1D2050-36103	25	9
1D2050-36111	25	10
1D2050-65010	11	12
1D2090-12130	14	1
1D2090-85010	25	14
1D2090-85800	23	12
1D2091-65200	25	12
1D2120-53100	18	3
1D2120-53110	18	4
1D2120-53160	18	6
1D2120-65240	25	13
1D2123-11070	11	3
1D2133-22100	14	4
1D2133-31100	23	6
1D2133-92010	22	4
1D2260-11060	11	2
1D2260-11100	23	1
1D2260-11120	23	2
1D2260-11140	23	3
1D2260-11150	23	4
1D2260-11210	11	4
1D2260-11230	11	5
1D2260-11250	11	6
1D2260-22110	14	2
1D2260-31020	23	5
1D2260-31160	23	7

PARTS No.	Fig.	Ref.No.
1D2260-31220	23	8
1D2260-31240	23	9
1D2260-31250	23	10
1D2260-32010	24	1
1D2260-32020	24	2
1D2260-42040	11	11
		16
1D2260-44390	24	3
1D2260-46070	15	2
1D2260-53020	18	2
1D2260-53110	18	5
1D2260-53161	18	7
1D2260-61060	19	1
1D2260-61110	19	2
1D2260-61150	20	4
1D2260-61510	20	1
1D2260-61520	20	2
1D2260-61530	20	3
1D2260-64210	24	4
1D2260-64270	24	5
1D2260-91021	28	3
1D2270-11020	11	1
1D2270-12010	12	1
1Q0140-18510	14	3
1Q0140-52050	17	3
1Q0140-91050	21	1
1Q0170-11300	11	7
1Q0170-11310	11	8
1Q0170-11320	11	9
1Q0170-22020	13	1
1Q0170-46030	15	1
1Q0170-52010	17	1
1Q0170-52020	17	2
1Q0170-61010	19	3
1Q0170-91020	28	4
1Q0170-93250	22	5
1S8120-49010	25	11
1Z0014-05200	4	11
1Z0056-06100	1	11
1Z1100-52129	1	1
1Z1100-92062	6	5
1Z1100-92521	1	2
1Z1100-92524	6	6
1Z1100-92774	7	1
1Z1101-12288	7	2
1Z1101-22176	6	8
1Z1101-22220	7	3
1Z1101-32164	7	4
1Z1101-32178	7	5
1Z1106-02114	7	6

PARTS No.	Fig.	Ref.No.
1Z1106-02140	6	9
1Z1106-02350	1	3
1Z1106-02351	6	2
1Z1106-02384	6	3
1Z1300-12103	2	1
1Z1300-22067	2	2
1Z1300-86044	2	3
1Z1303-32005	2	5
1Z1304-22058	8	3
1Z1307-02064	9	2
1Z1316-52070	9	13
1Z1316-82125	6	10
1Z1316-92386	9	3
1Z1318-32316	6	11
1Z1400-22330	1	5
1Z1400-22333	1	4
1Z1402-02062	6	19
1Z1402-42084	4	1
1Z1402-52022	6	12
1Z1406-92055	8	1
1Z1500-32780	6	4
1Z1600-22057	6	13
1Z1600-92054	6	14
1Z1601-72071	6	15
1Z1602-02090	6	16
1Z1602-52056	6	17
1Z1607-32182	6	1
1Z1612-62110	6	18
1Z2105-02260	4	2
1Z2113-02056	4	3
1Z2116-92051	4	4
1Z2117-12201	4	5
1Z214B-06080	1	9
1Z223B-06300	1	10
1Z241B-04120	7	10
1Z314R-10000	4	12
1Z3209-92135	9	4
1Z3209-92136	9	5
1Z3209-92326	5	2
1Z411S-05000	8	9
1Z4302-82066	6	20
1Z4607-52067	9	6
1Z4901-92063	8	4
1Z4901-92087	8	2
1Z4904-32065	6	21
1Z4907-02681	7	7
1Z4908-02136	9	12
1Z4908-82311	9	1
1Z4908-92242	3	1
1Z4908-92281	3	2

PARTS No.	Fig.	Ref.No.
1Z4911-96203	2	4
1Z5100-12300	10	4
1Z5104-82074	8	10
		12
1Z5401-22611	5	1
1Z5603-12489	10	1
1Z5603-92726	10	2
1Z5608-02250	10	3
1Z5907-12077	8	5
1Z5910-12074	9	7
1Z5910-62092	9	8
1Z5936-62066	7	8
1Z751Q-06000	1	12
1Z9200-92057	6	22
1Z9200-92211	6	23
1Z9200-92218	9	9
1Z9200-92285	3	3
1Z9200-92374	6	33
1Z9200-92386	9	16
1Z9201-52124	6	7
1Z9201-52132	6	24
1Z9202-22065	6	25
1Z9202-22147	4	6
1Z9202-22237	9	10
1Z9202-52134	2	6
1Z9202-52135	2	7
1Z9202-52136	2	8
1Z9202-52137	2	9
1Z9203-32210	9	14
1Z9203-32058	2	10
1Z9203-32070	6	26
1Z9203-72109	8	6
1Z9203-72163	8	7
1Z9203-82078	4	7
1Z9204-52005	1	6
1Z9204-92076	1	7
1Z9205-92217	8	8
1Z9205-92224	6	34
1Z9205-92233	4	8
1Z9206-32313	6	27
1Z9207-02107	4	9
1Z9207-12077	4	10
1Z9208-12281	6	28
1Z9208-62058	6	29
1Z9214-42040	9	11
1Z9214-42042	6	30
1Z9214-42046	9	15
1Z9215-02180	7	9
1Z9215-02294	1	8
1Z9215-12063	3	4



YANMAR CO.,LTD.